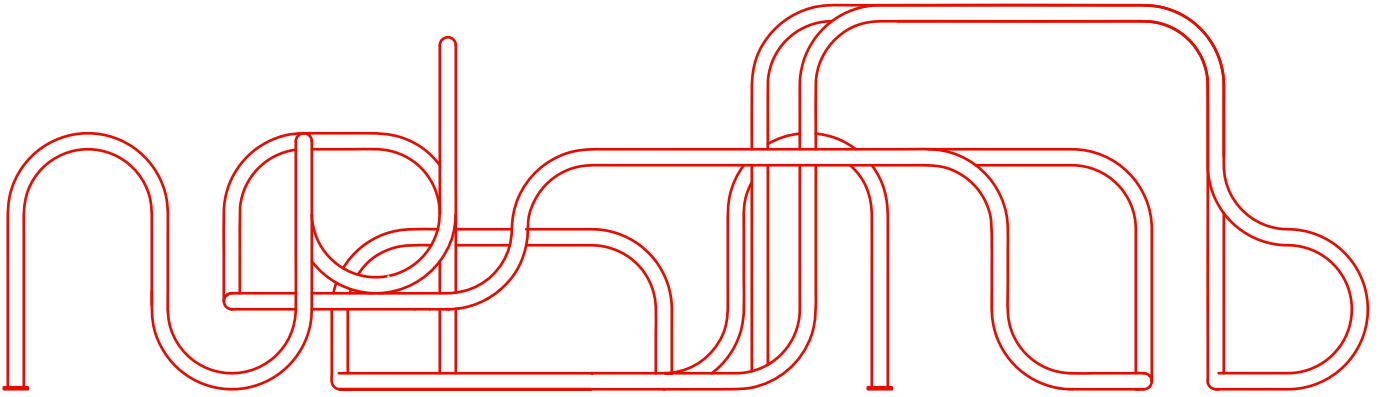
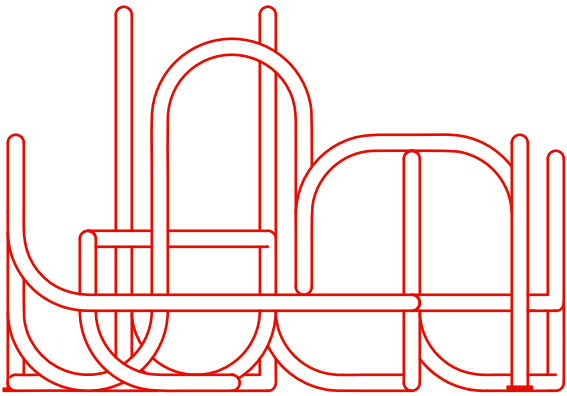


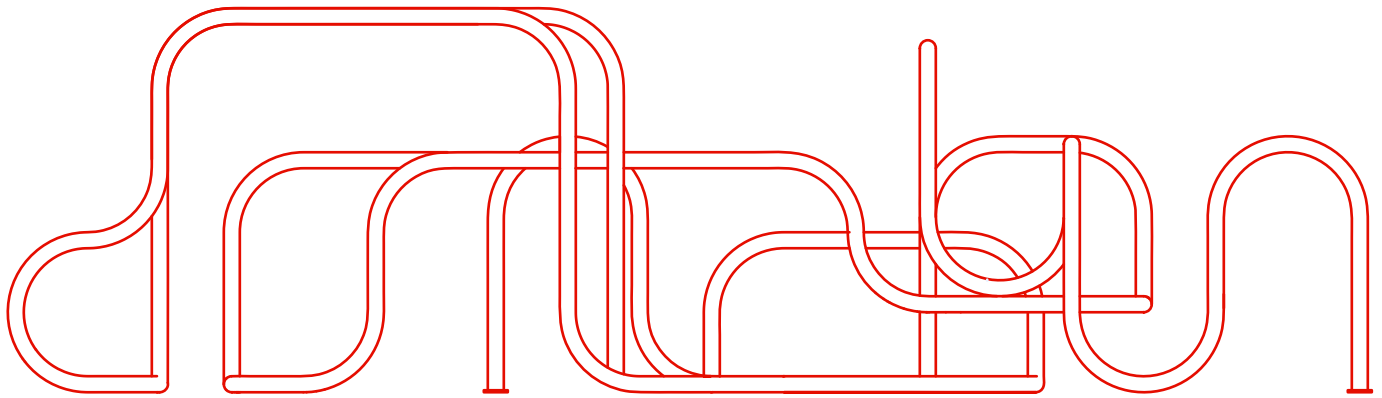
Plan  
Scale: 1/2" = 1'-0"



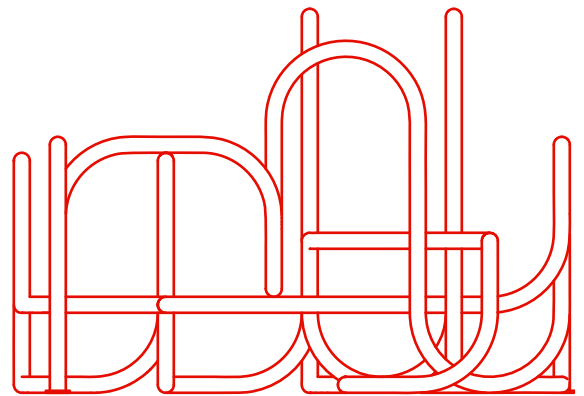
**West Elevation**  
Scale: 1/2" = 1'-0"



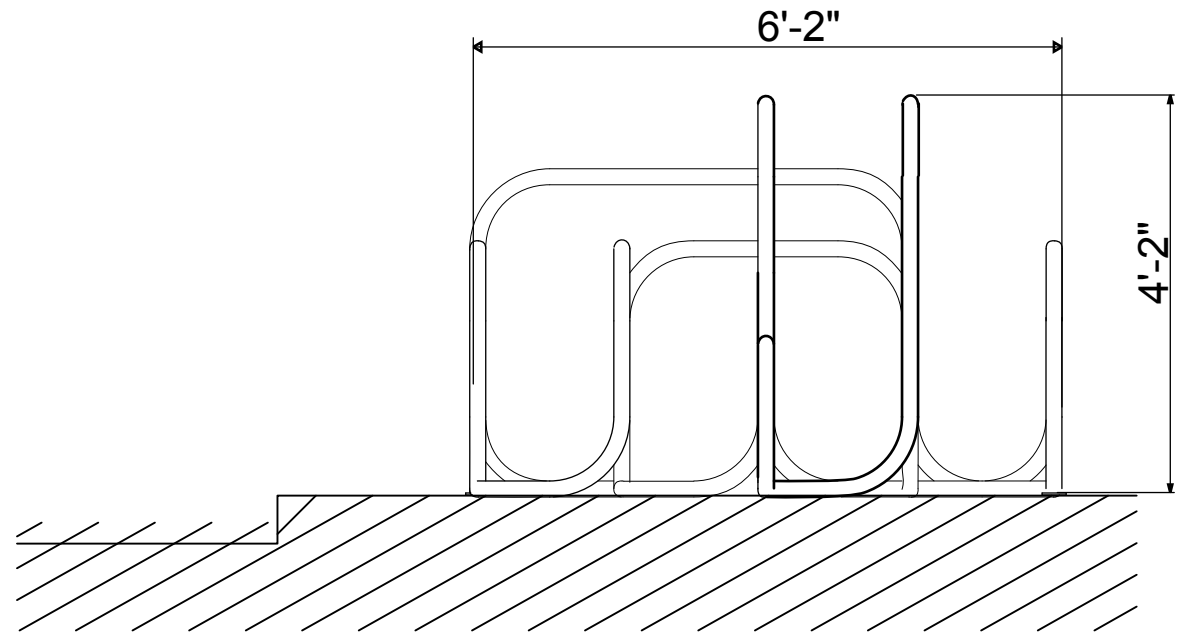
**North Elevation**  
Scale: 1/2" = 1'-0"



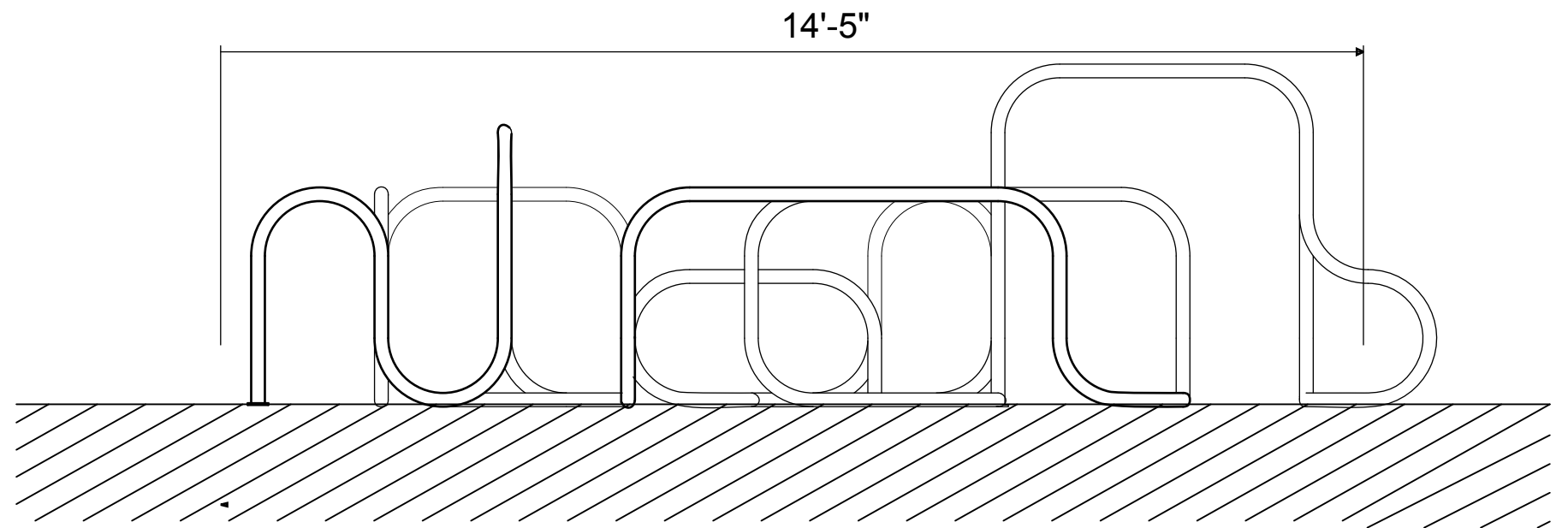
East Elevation  
Scale: 1/2" = 1'-0"



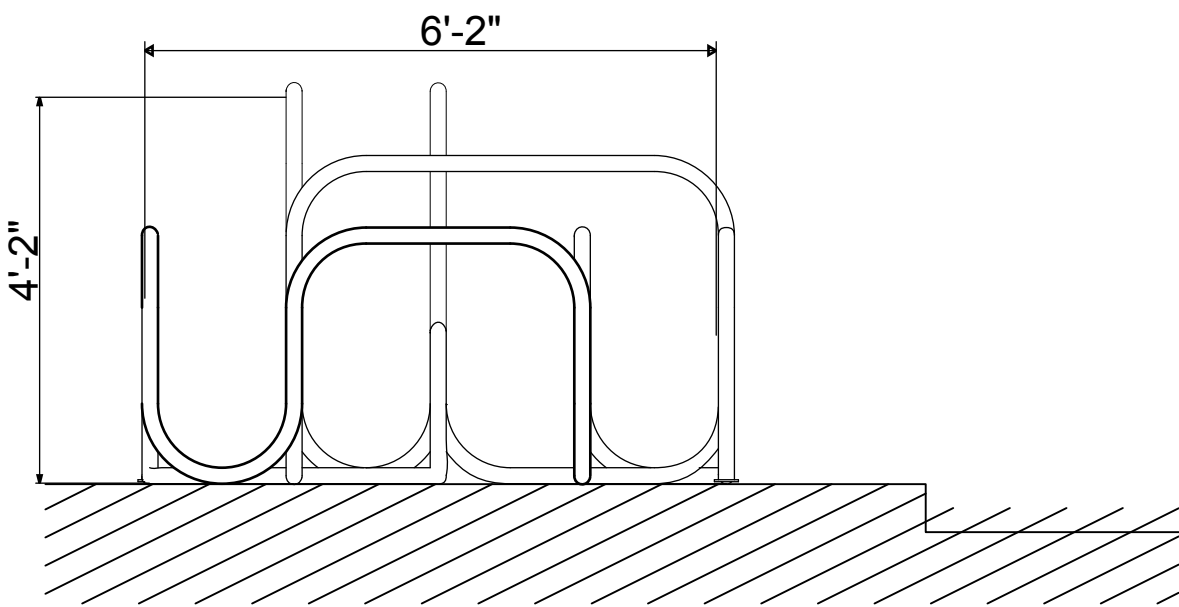
South Elevation  
Scale: 1/2" = 1'-0"



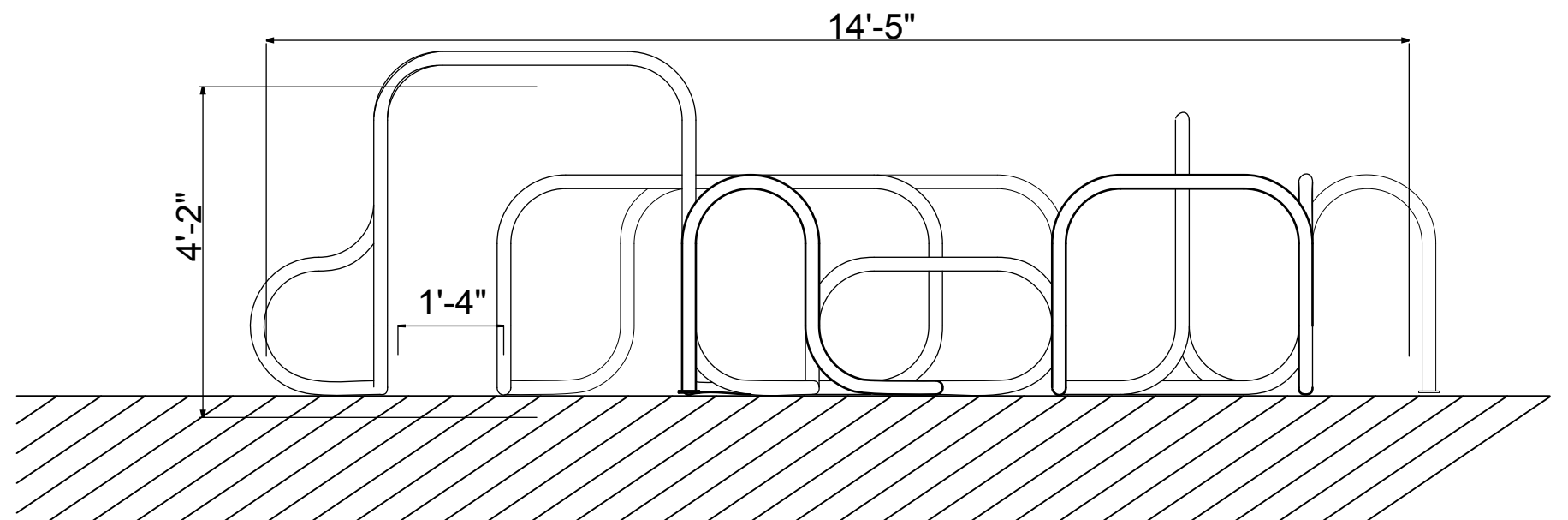
4 *Western (Right) Elevation*



2 *O'Connell Campus (Back) Elevation*



3 *Eastern (Left) Elevation*



1 *Folsom St. (Front) Elevation*

DPP001

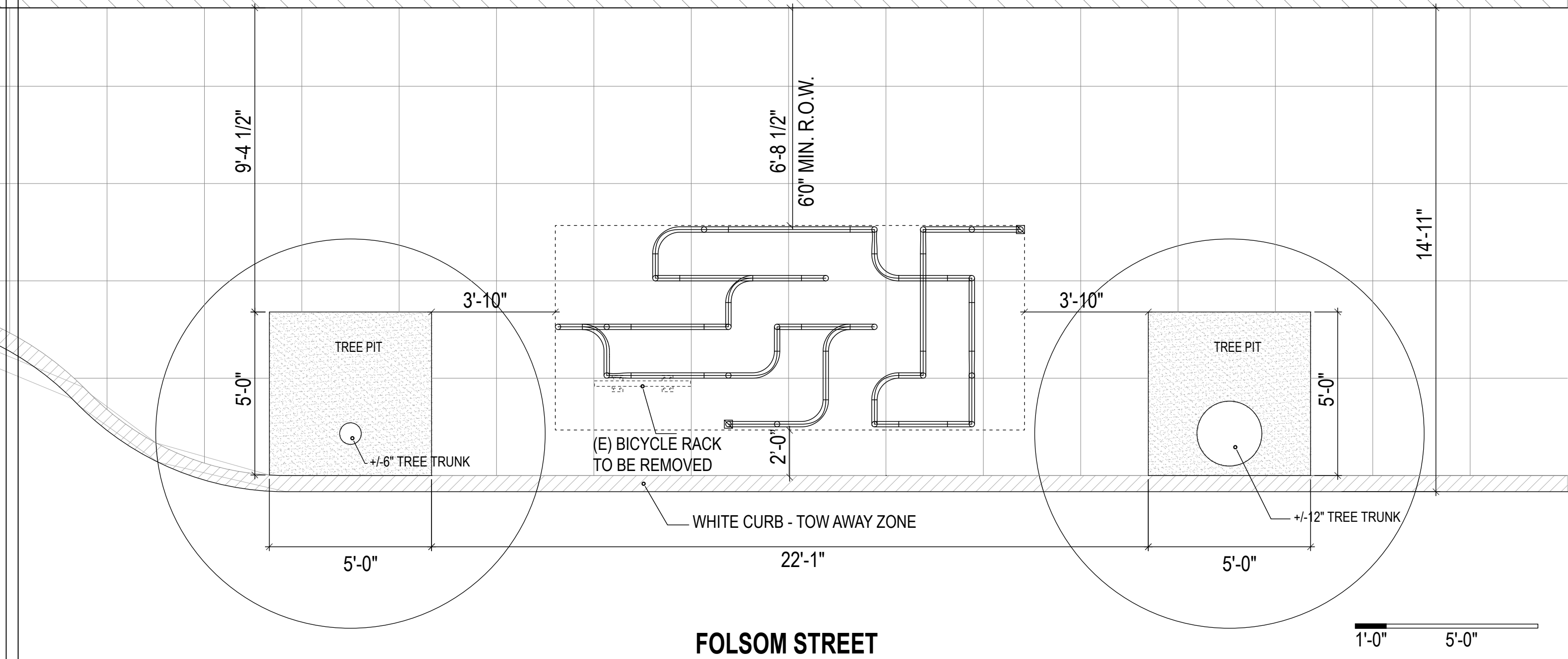
Elevations

Date: 11.30.15

Scale: 1/2"=1'-0"

**A8.0**

O'CONNELL HIGH SCHOOL  
2355 FOLSOM STREET



DPP001

Site Plan

Date: 11.30.15

Scale: NTS

A1.0