

Kimbell Restroom and Storage Building

Civic Design Review
Phase 2 - Design Development
May 21, 2012



Dan Mauer, Project Manager
Recreation and Park Department

Tara Lamont, Interim Manager
Will Kwan, Architect
Rommel Taylor, Project Designer
Department of Public Works
Building Design and Construction



1



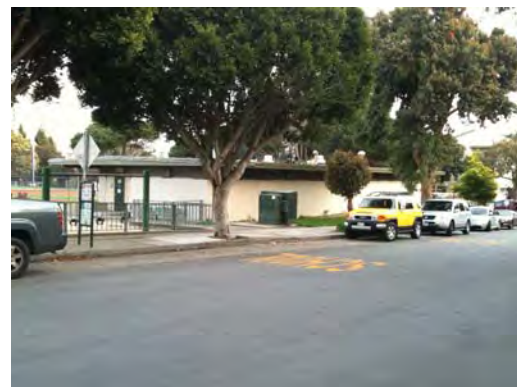
2



3



4



Existing restroom and storage building to be demolished



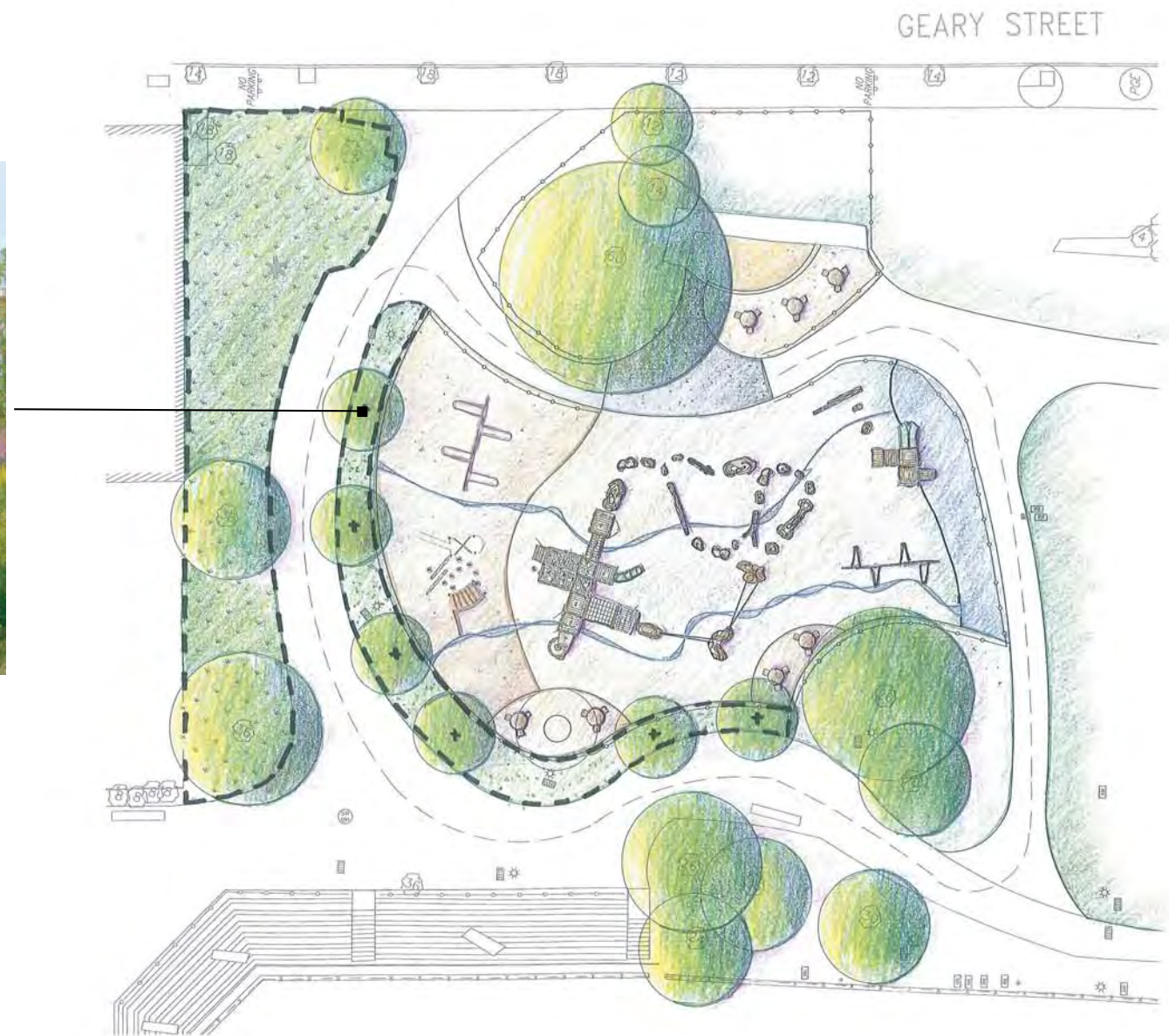




010518130



Prunus serrulata 'Kwanzan'
Flowering Cherry



SHRUB ACCENTS



Carpenteria californica
Bush Anemone



Ribes sanguineum
Pink Flowering Currant



Raphiolepis umbellata
Indian Hawthorn

GROUNDCOVER



Artemisia 'Powis Castle'
Wormwood



Helianthemum nummularium
Sunrose



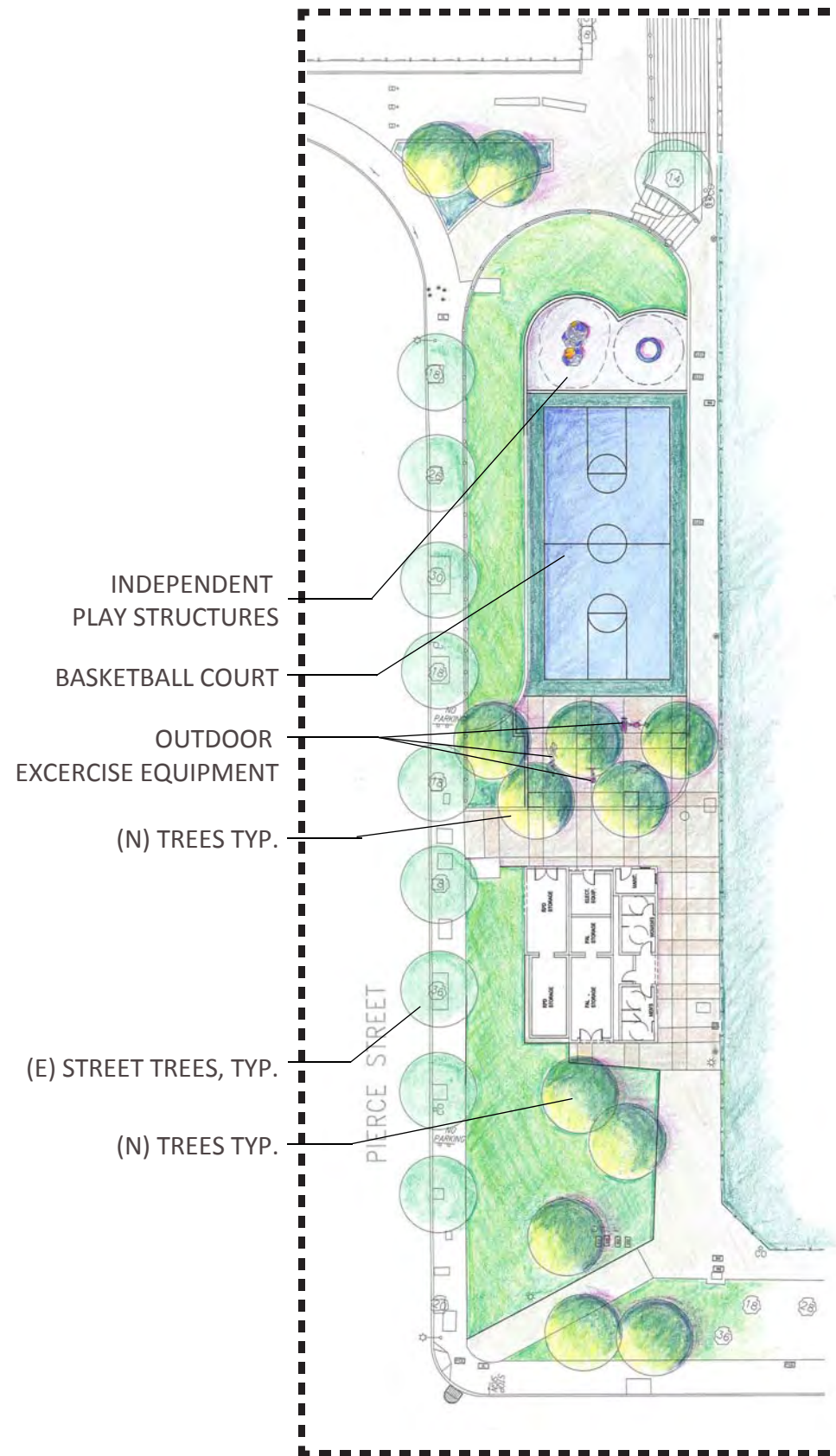
Iris douglasiana
Pacific Coast Iris



Phlomis fruticosa
Jerusalem Sage

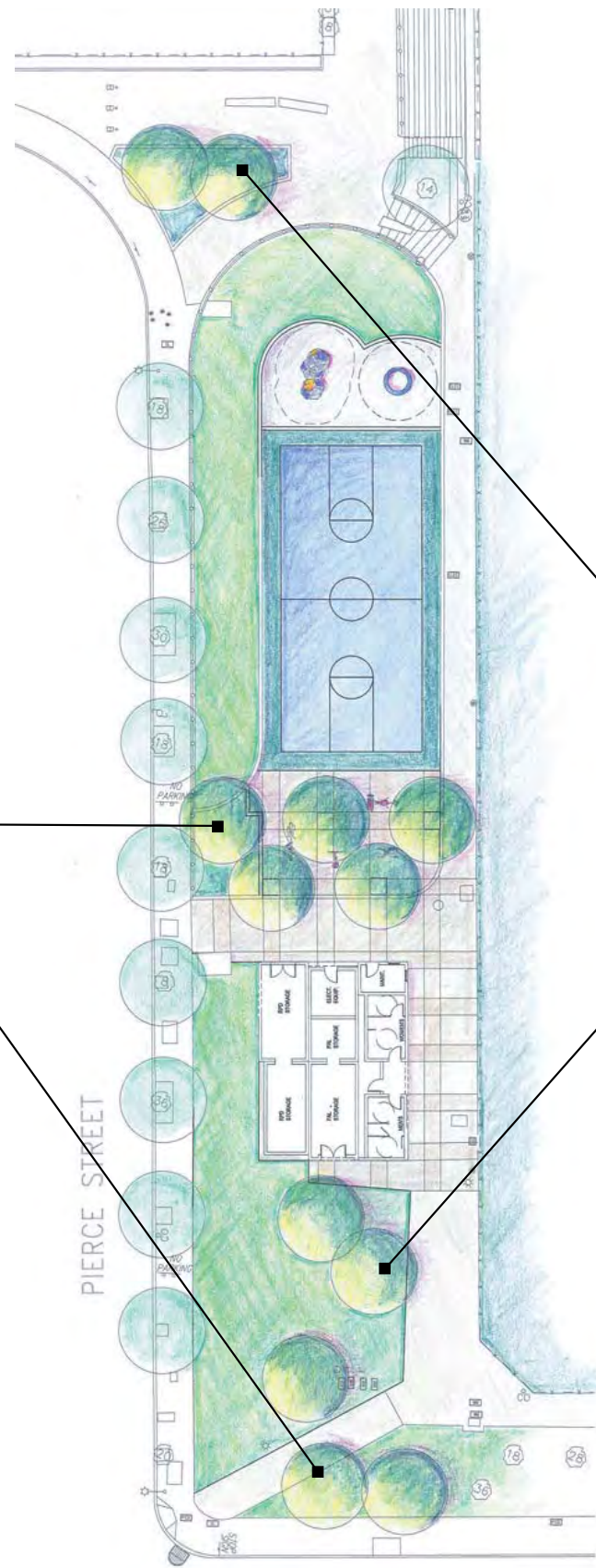


Trachelospermum jasminoides
Star Jasmine

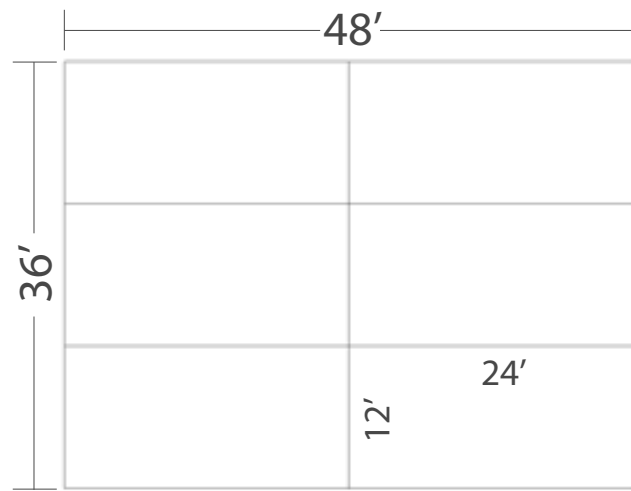




Prunus serrulata 'Kwanzan'
Flowering Cherry



Arbutus marina
Strawberry Tree

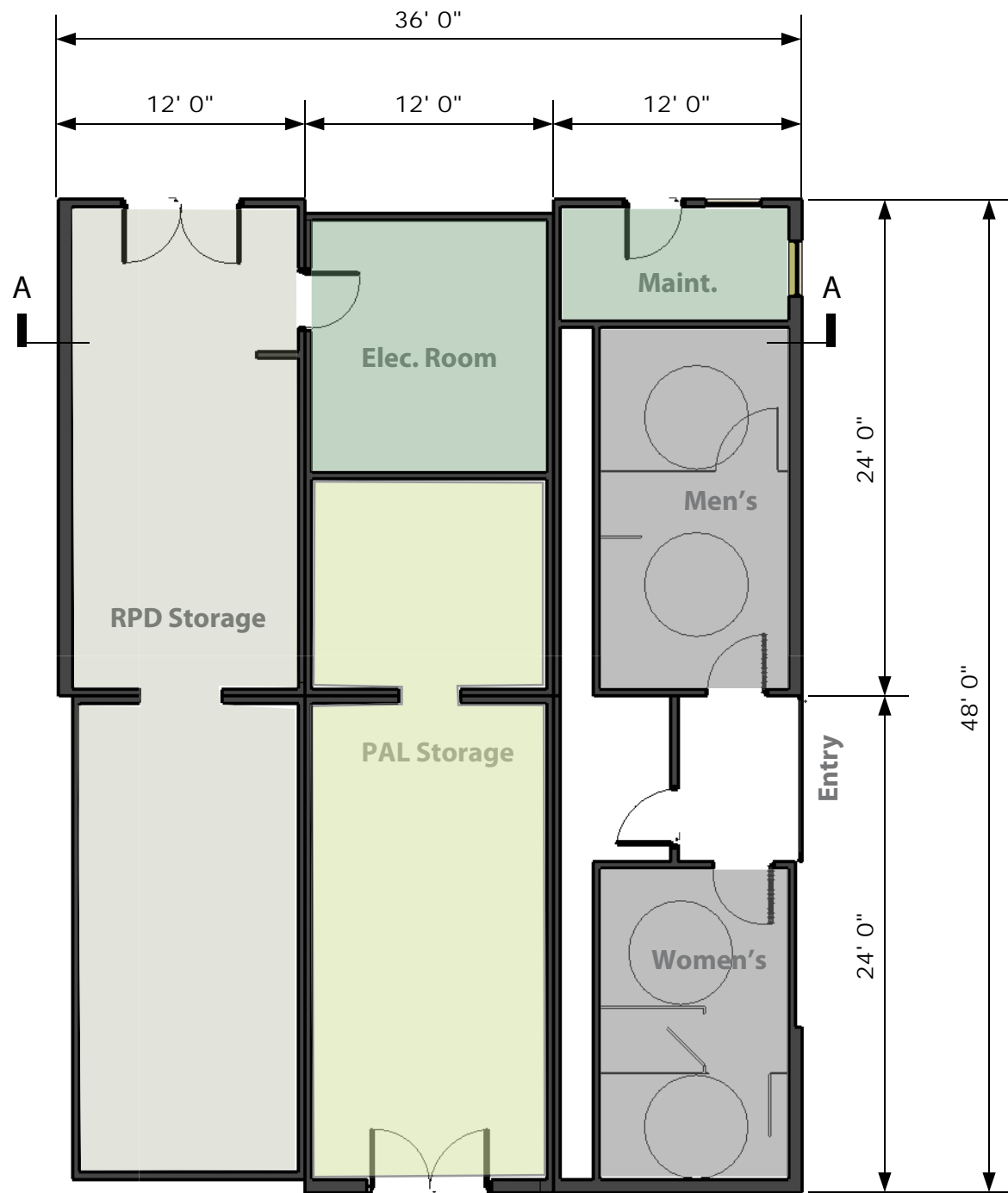


1

2

3

4







STANDING METAL SEAM ROOF

WOOD SIDING AND FASCIA

ALUMINUM FRAME LOUVERS AND WINDOWS

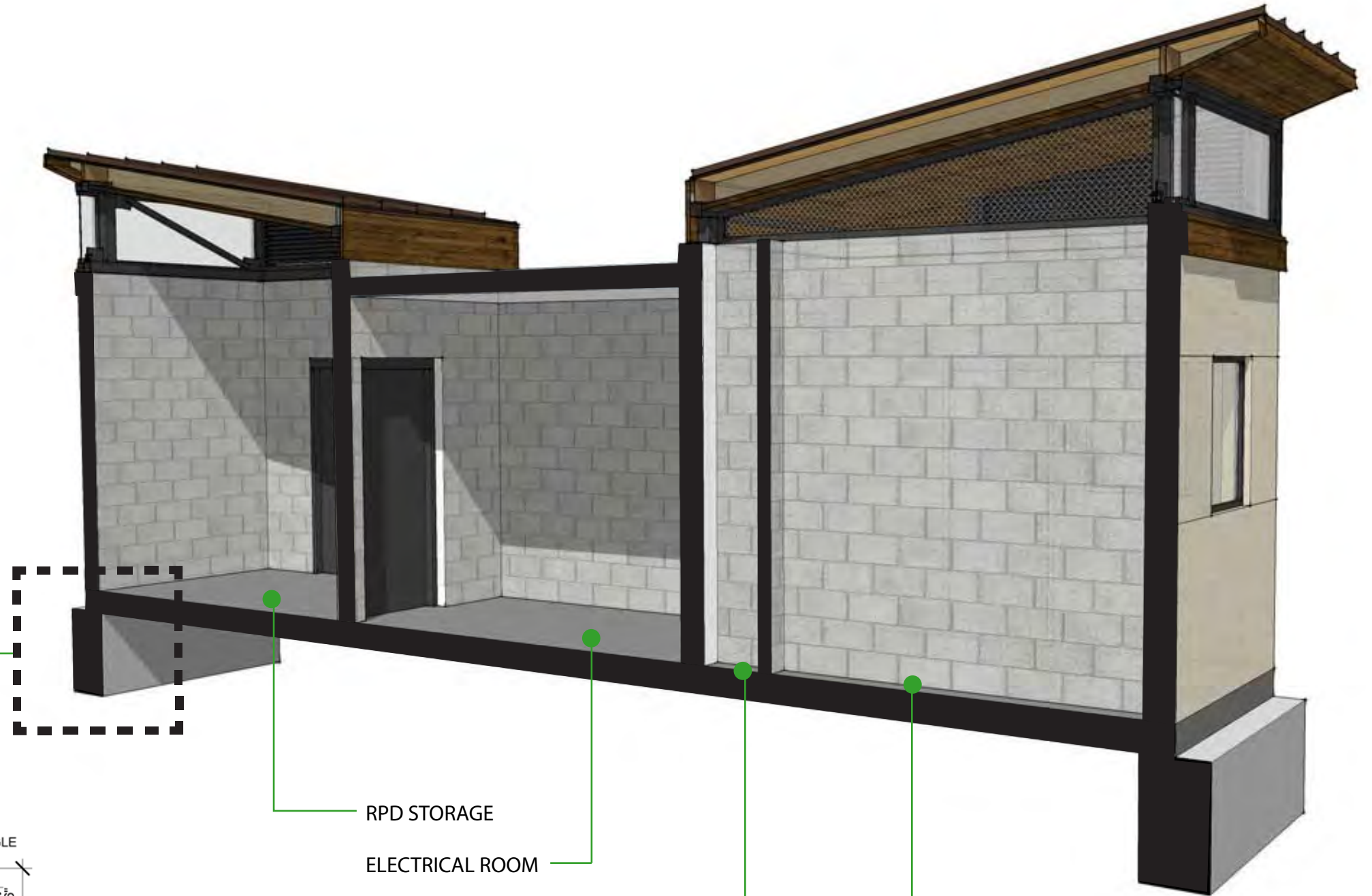
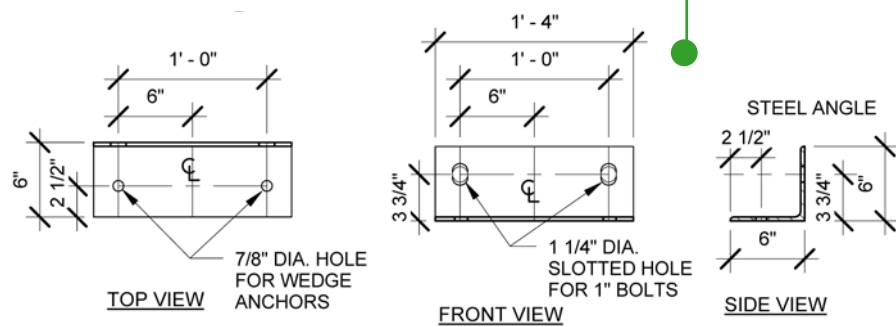
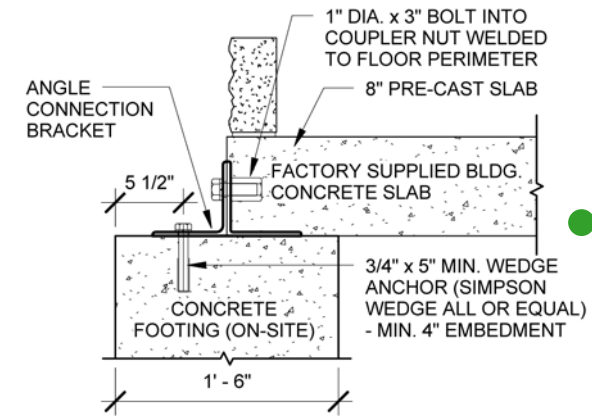
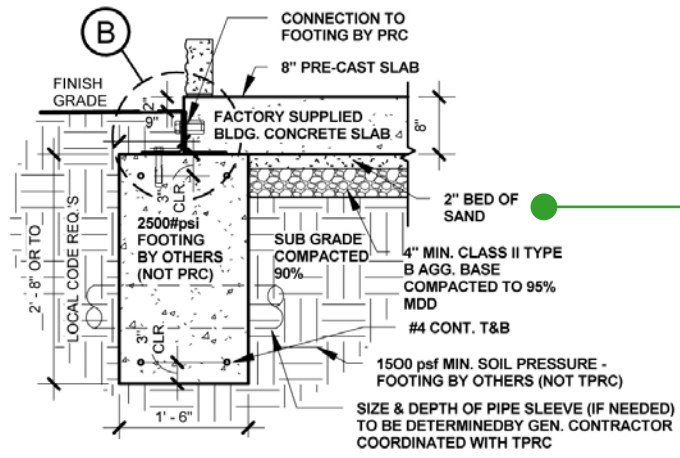
STUCCO OVER CMU

PORCELAIN TILE OVER CMU

STEEL SLIDING GATE







RPD STORAGE

ELECTRICAL ROOM

PLUMBING CHASE

MEN'S RESTROOM







CLOSED POSITION



OPEN POSITION











