

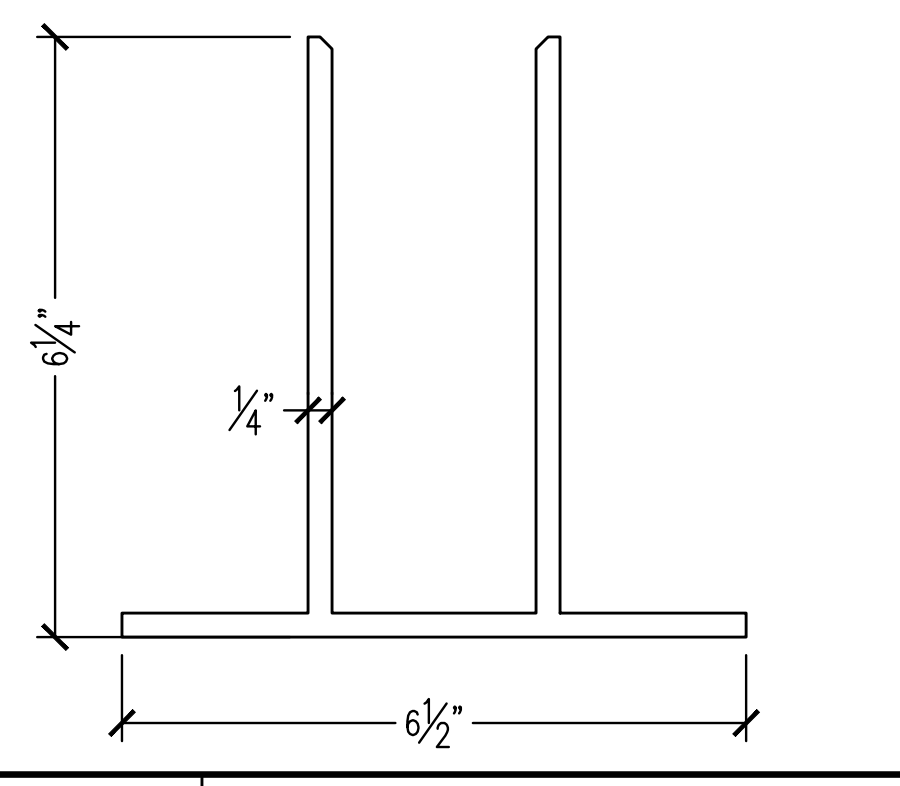
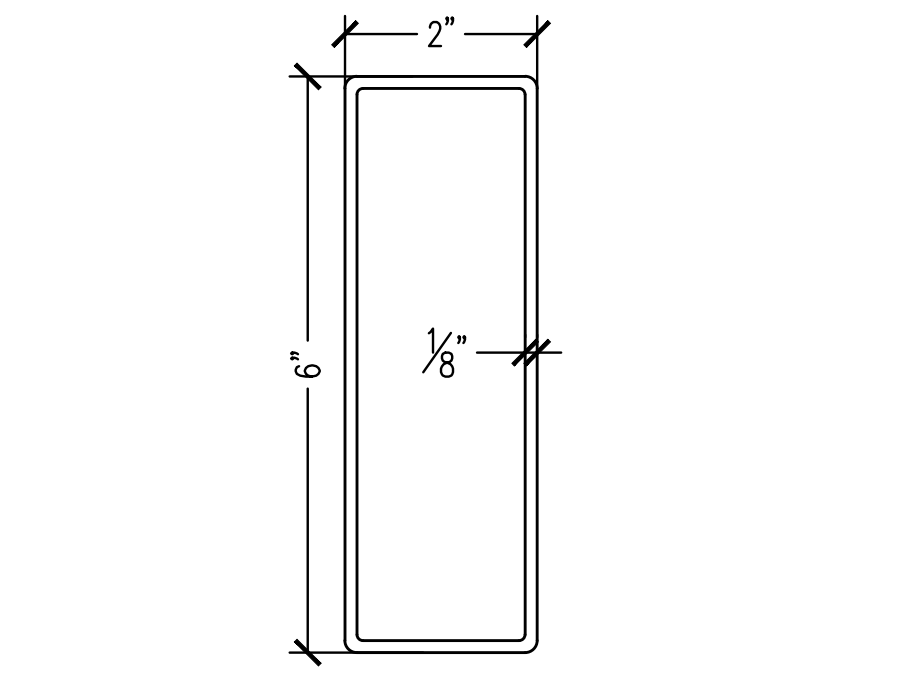
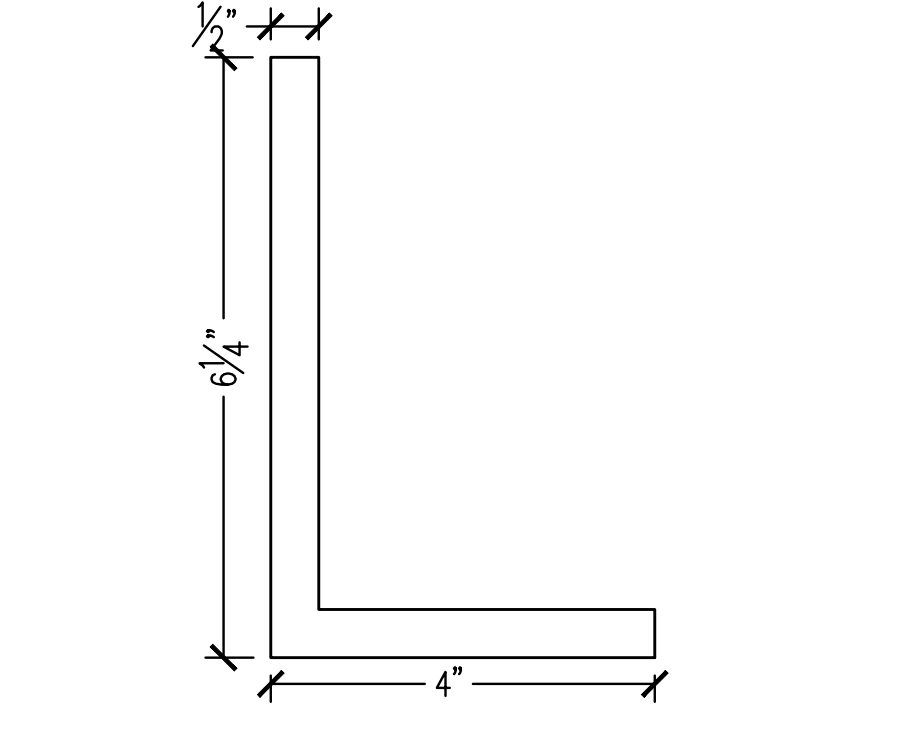
DRAWING INDEX	
GENERAL DRAWINGS	
Z10.1	TITLE SHEET
PLAN DRAWINGS	
Z20.1	PLAN VIEW
Z20.2	PLAN VIEW
SECTION VIEWS	
Z30.1	CLOUDWALL ELEVATION VIEW
Z30.2	IMAGEWALL ELEVATION VIEW
Z40.1	CLOUDWALL SECTION VIEW
Z40.2	IMAGEWALL SECTION VIEW
DETAILS	
Z50.1	CLOUDWALL DETAILS
Z50.2	IMAGEWALL DETAILS
Z50.3	CLOSURE DETAILS
Z50.4	CLOUDWALL/IMAGEWALL TRANSITION

FASTENER TYPES	
(F1)	DESCRIPTION #12 X 1" T3 BI-FLEX USE SHEET METAL MATERIAL STAINLESS STEEL LENGTH 1" SIZE #12 THREAD XX THREAD LENGTH XX HEAD HEX POINT T3 DRIVE XX COATING XX ADDITIONAL XX
(F2)	DESCRIPTION THROUGH BOLT 3/8"-16 X 1-1/4" USE SHEET METAL MATERIAL 304 SS, ASTM F593C LENGTH 1-1/4" SIZE 3/8" DIA. THREAD 16" THREAD LENGTH FULLY TRHEADED HEAD HEX POINT N/A DRIVE XX COATING XX ADDITIONAL XX
(F3)	DESCRIPTION #12 X 2" HHW T5 BI-FLEX USE SHEET METAL MATERIAL STAINLESS STEEL LENGTH 2" SIZE #12 THREAD XX THREAD LENGTH FULLY THREADED HEAD HEX POINT T5 DRIVE XX COATING XX ADDITIONAL XX
(F4)	DESCRIPTION #14 X 1-1/2" FENDERHEAD T5 USE SHEET METAL MATERIAL ALLOY STEEL W/DYNACOAT LENGTH 1-1/2" SIZE #14 THREAD 16" THREAD LENGTH FULLY THREADED HEAD HEX POINT T5 DRIVE XX COATING XX ADDITIONAL XX
(F5)	DESCRIPTION 1/8" POP RIVET USE SHEET METAL MATERIAL 5052 ALUMINUM LENGTH 0.141" GRIP SIZE 1/8" THREAD XX THREAD LENGTH XX HEAD BUTTON POINT XX DRIVE XX COATING XX ADDITIONAL XX
(F6)	DESCRIPTION 5/8" BOLT USE SHEET METAL MATERIAL 5052 ALUMINUM LENGTH 0.141" GRIP SIZE 1/8" THREAD XX THREAD LENGTH XX HEAD BUTTON POINT XX DRIVE XX COATING XX ADDITIONAL XX

Note: Zahner furnished fasteners

SHEET METAL	
SM 1	MATERIAL: 14 GA. 304 SS FINISH: ANGEL HAIR USE: IMAGEWALL PANELS
SM 2	MATERIAL: 0.190 THICK ALUMINUM 5052-H32 FINISH: PRIMED AND PAINTED USE: CLOUDWALL AND HARDWARE
SM 3	MATERIAL: 0.125" ALUMINUM 5052-H32 FINISH: PRIMED USE: HARDWARE
SM 4	MATERIAL: 0.250" ALUMINUM 5052-H32 FINISH: PRIMED USE: HARDWARE
SM 5	MATERIAL: 0.063" ALUMINUM 5052-H32 FINISH: MILL USE: HARDWARE
SM 6	MATERIAL: 1/4" STAINLESS STEEL 304 FINISH: MILL USE: HARDWARE

Note: Zahner furnished material to produce Art Wall components

EXTRUSIONS / PARTS	
E1	6 1/4" X 6 1/2" PI ANCHOR 6063-T6 FINISH: CLEAR ANODIZED 
E2	6063-T6 2" X 6" MULLION FINISH: CLEAR ANODIZED 
E3	6061-T6 ALUMINUM 4" X 6-1/4" ANGLE FINISH: MILL 

Note: Zahner furnished material to produce Art Wall components

- PRELIMINARY
 - DBT Review -
 - Request for Information -
 - Engineering Analysis/Design -
- DESIGN DEVELOPMENT
 - Submittal for Approval - XX.XX.XX
 - Issued for Pricing -
 - Submitted for Permit -
 - Resubmitted for Approval -
- FOR CONSTRUCTION
 - For Construction/Fabrication -
 - Engineer of Record -
 - For Construction Revisions -
 - As-built Record Set -

NO	DATE	DR. BY:	CK. BY:	DESCRIPTION
1	11.9.18	LH	PM	FOR APPROVAL
2	04.02.19	LH	PM	FOR APPROVAL
3	06.05.19	LH	PM	FOR APPROVAL
4	07.22.20	AM	DM	FOR CONSTRUCTION
5	11.04.20	AM	DM	FOR CONSTRUCTION

PROPRIETARY NOTICE
 This drawing sheet and contents herein are the property of A.Zahner Company. Use of this drawing, contents or design for purposes other than estimating, drawing preparation and/or manufacturing for A.Zahner Company shall be cause for legal recourse by A.Zahner Company.

ARCHITECT:	MWA ARCHITECTS SAN FRANCISCO, CA
ARCHITECT:	NAME LOCATION
CONTRACTOR:	NAME LOCATION
ORIGINATOR:	

ZAHNER

ARCHITECTURAL METAL
 1400 EAST NINTH STREET TEL: (816) 474-8882
 KANSAS CITY, MO. 64106 FAX: (816) 474-7994
 WWW.AZAHNER.COM

PROJECT:
SF HEADWORKS
SAN FRANCISCO, CA

TITLE:
TITLE SHEET

SUBMITTAL-04

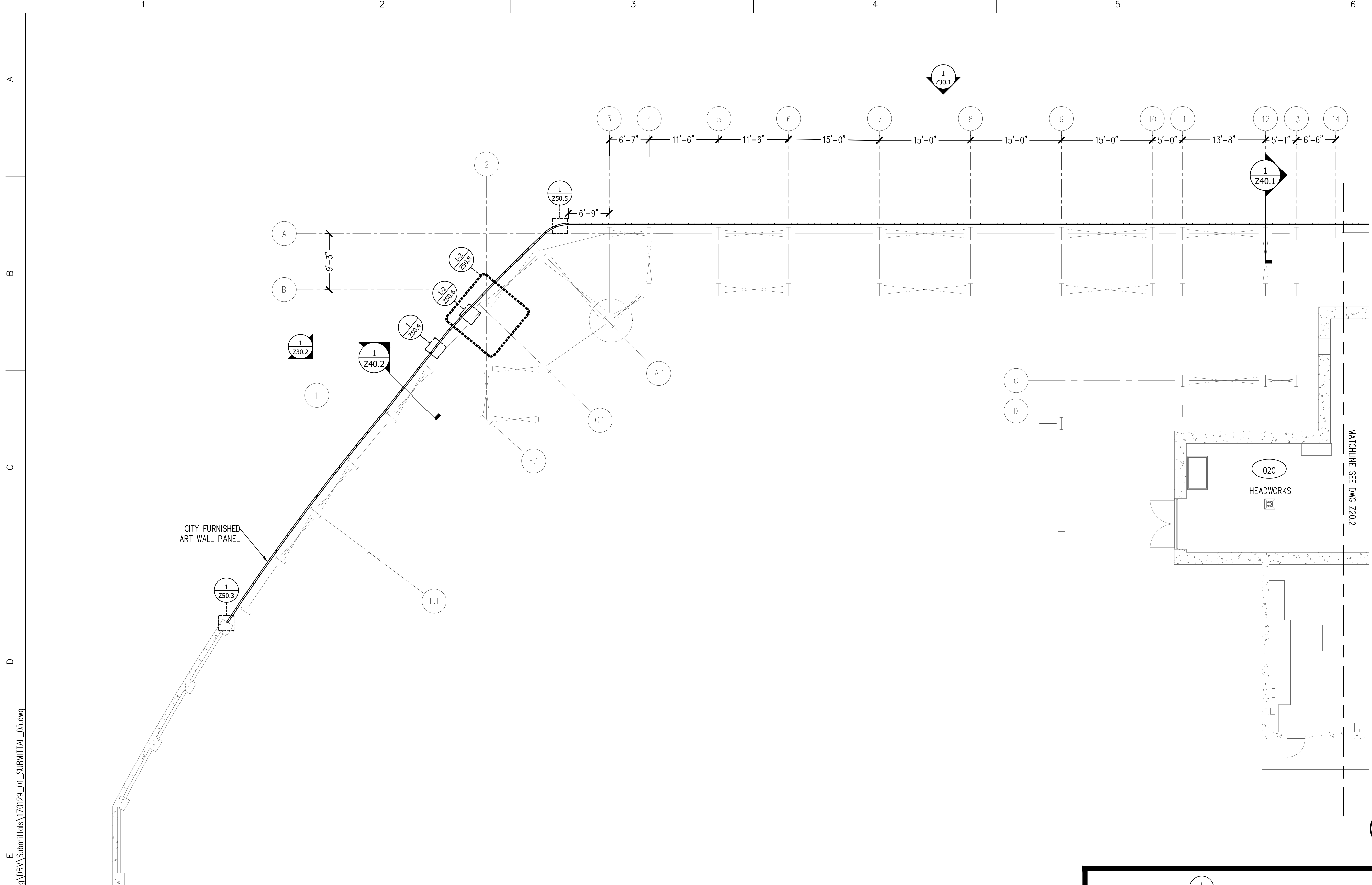
PROJECT NUMBER: 190121	SUBMITTAL:
DRAWING NO: Z10.1	04

SF HEADWORKS - Art Wall

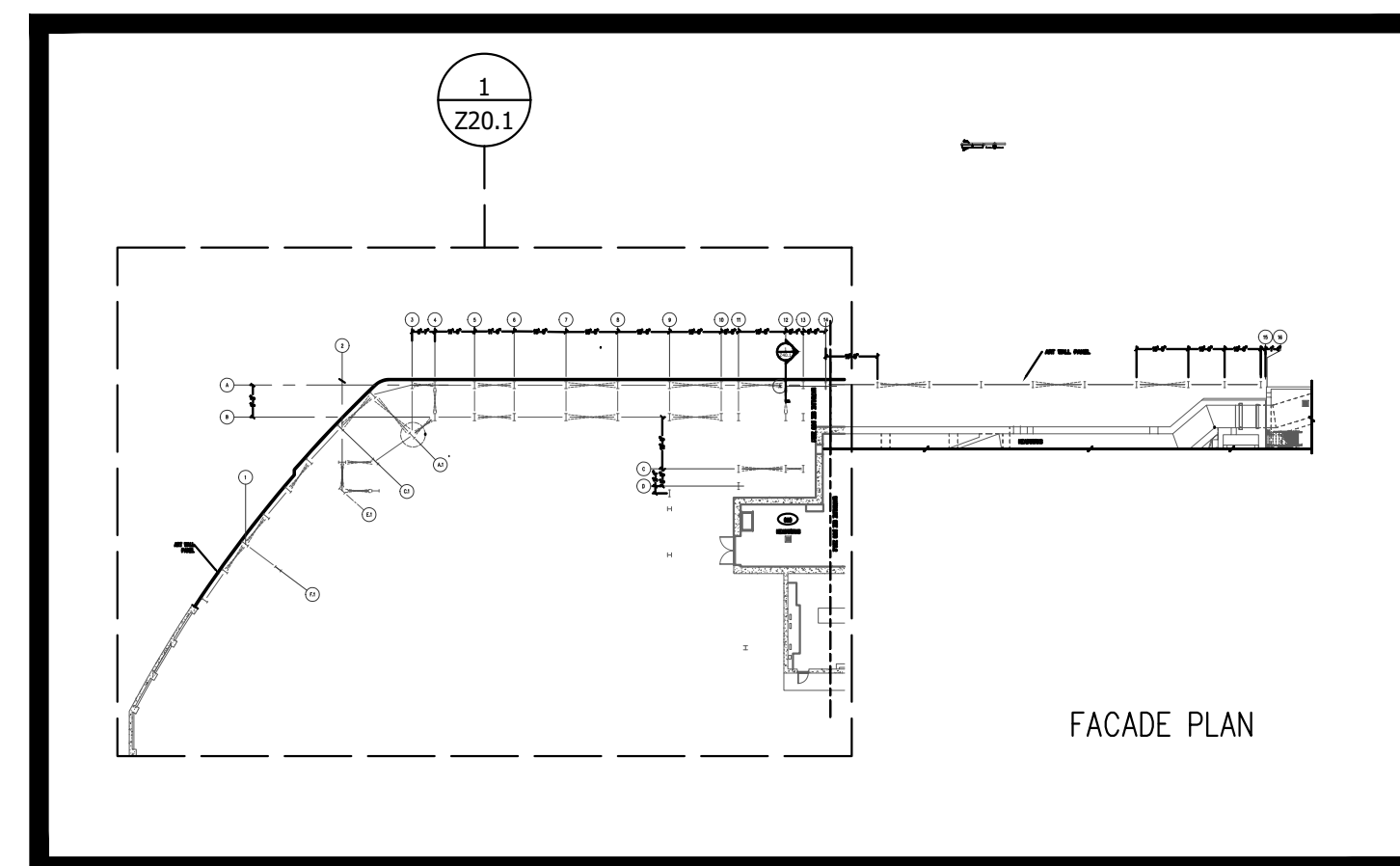
SAN FRANCISCO, CA

SUBMITTAL - 04

C:\Box\Active Projects\190151_SF_Headworks_PH_3_Engineering\DRW\Submittals\170129_01_SUBMITTAL_05.dwg



1 PLAN VIEW
SCALE: 1/8" = 1'-0"
ZAHNER REF: XX
ARCH REF: 000-C-05-1002



- PRELIMINARY
 - DBT Review -
 - Request for Information -
 - Engineering Analysis/Design -
- DESIGN DEVELOPMENT
 - Submitted for Approval - XX.XX.XX
 - Issued for Pricing -
 - Submitted for Permit -
 - Resubmitted for Approval -
- FOR CONSTRUCTION
 - For Construction/Fabrication -
 - Engineer of Record -
 - For Construction Revisions -
 - As-built Record Set -

NO	DATE	DR. BY:	CK. BY:	DESCRIPTION
1	11.9.18	LH	PM	FOR APPROVAL
2	04.02.19	LH	PM	FOR APPROVAL
3	06.05.19	LH	PM	FOR APPROVAL
4	07.22.20	AM	DM	FOR CONSTRUCTION
5	11.04.20	AM	DM	FOR CONSTRUCTION

PROPRIETARY NOTICE
This drawing sheet and contents herein are the property of A.Zahner Company. Use of this drawing, contents or design for purposes other than estimating, drawing preparation and/or manufacturing for A.Zahner Company shall be cause for legal recourse by A.Zahner Company.

ARCHITECT:
MWA ARCHITECTS
SAN FRANCISCO, CA

ARCHITECT:
NAME
LOCATION

CONTRACTOR:
NAME
LOCATION

ORIGINATOR:



ARCHITECTURAL METAL
1400 EAST NINTH STREET TEL: (816) 474-8882
KANSAS CITY, MO. 64106 FAX: (816) 474-7994
WWW.AZAHNER.COM

PROJECT:
SF HEADWORKS
SAN FRANCISCO, CA

TITLE:
PLAN VIEW

SUBMITTAL-04

PROJECT NUMBER: 190121
DRAWING NO: Z20.1

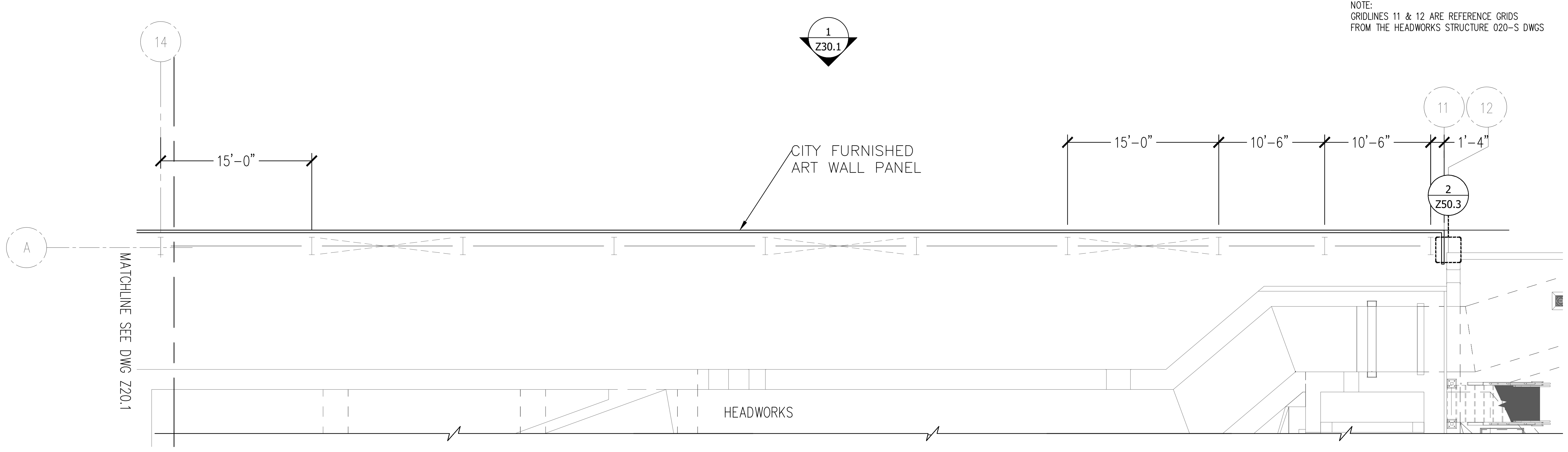
SUBMITTAL:
04

C:\Box\Active Projects\190151_SF_Headworks_PH_3_Headworks\DRW\Submittals\170129_01_SUBMITTAL_05.dwg

1 2 3 4 5 6

A
B
C
D
E
F

C:\Box\Active Projects\190151_SF_Headworks_PH_3_Headworks\PH_3_Headworks\DRW\Submittals\170129_01_SUBMITTAL_05.dwg



NOTE:
GRIDLINES 11 & 12 ARE REFERENCE GRIDS
FROM THE HEADWORKS STRUCTURE 020-S DWGS

- PRELIMINARY
 - DBT Review -
 - Request for Information -
 - Engineering Analysis/Design -
- DESIGN DEVELOPMENT
 - Submittal for Approval - XX.XX.XX
 - Issued for Pricing -
 - Submitted for Permit -
 - Resubmittal for Approval -
- FOR CONSTRUCTION
 - For Construction/Fabrication -
 - Engineer of Record -
 - For Construction Revisions -
 - As-built Record Set -

NO	DATE	DR. BY:	CK. BY:	DESCRIPTION
1	11.9.18	LH	PM	FOR APPROVAL
2	04.02.19	LH	PM	FOR APPROVAL
3	06.05.19	LH	PM	FOR APPROVAL
4	07.22.20	AM	DM	FOR CONSTRUCTION
5	11.04.20	AM	DM	FOR CONSTRUCTION

PROPRIETARY NOTICE

This drawing sheet and contents herein are the property of A.Zahner Company. Use of this drawing, contents or design for purposes other than estimating, drawing preparation and/or manufacturing for A.Zahner Company shall be cause for legal recourse by A.Zahner Company.

ARCHITECT:
MWA ARCHITECTS
SAN FRANCISCO, CA

ARCHITECT:
NAME
LOCATION

CONTRACTOR:
NAME
LOCATION

ORIGINATOR:

ZAHNER

ARCHITECTURAL METAL

1400 EAST NINTH STREET TEL: (816) 474-8882
KANSAS CITY, MO. 64106 FAX: (816) 474-7994
WWW.AZAHNER.COM

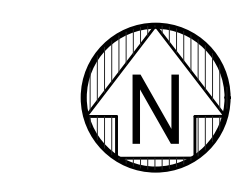
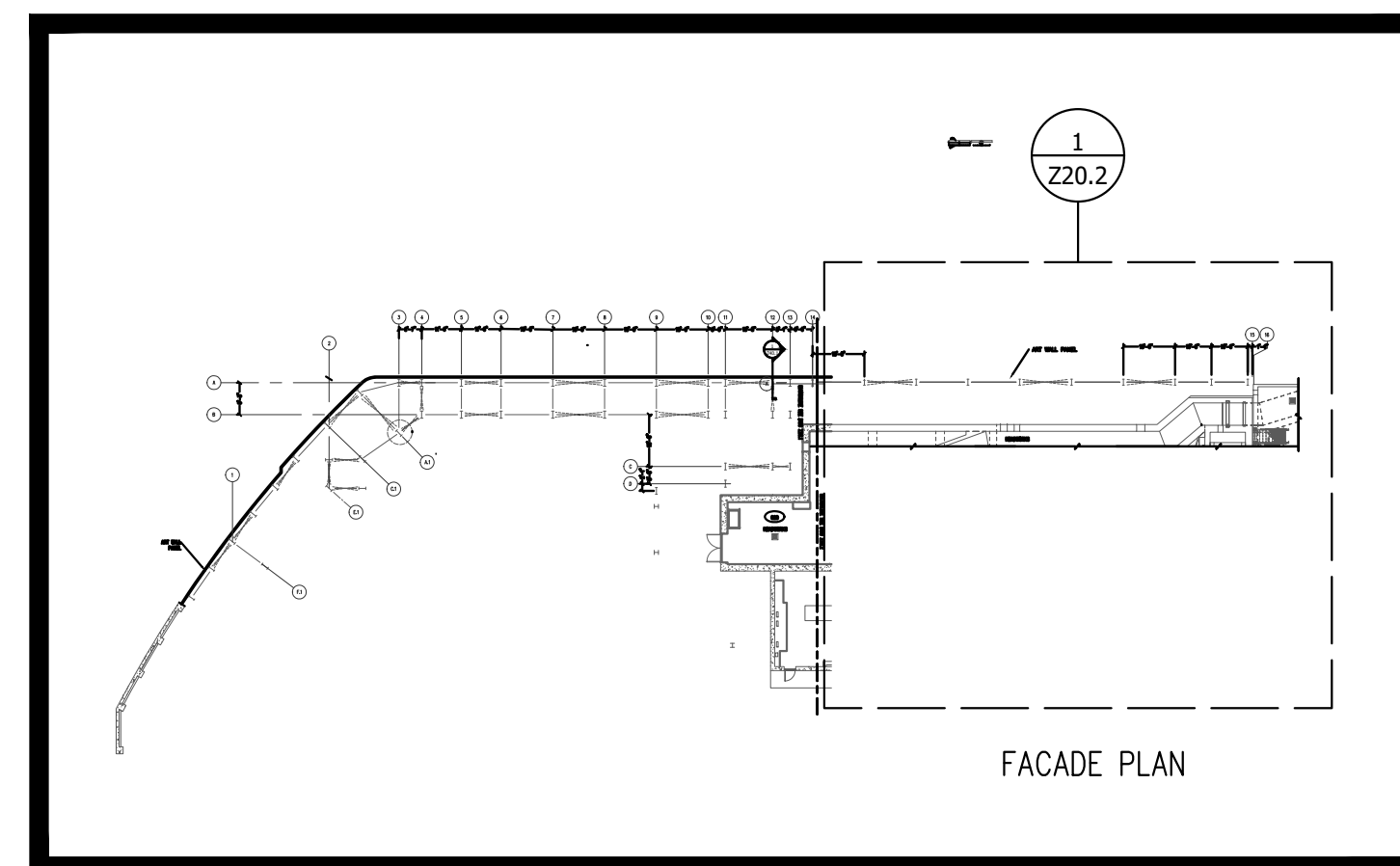
PROJECT:
SF HEADWORKS
SAN FRANCISCO, CA

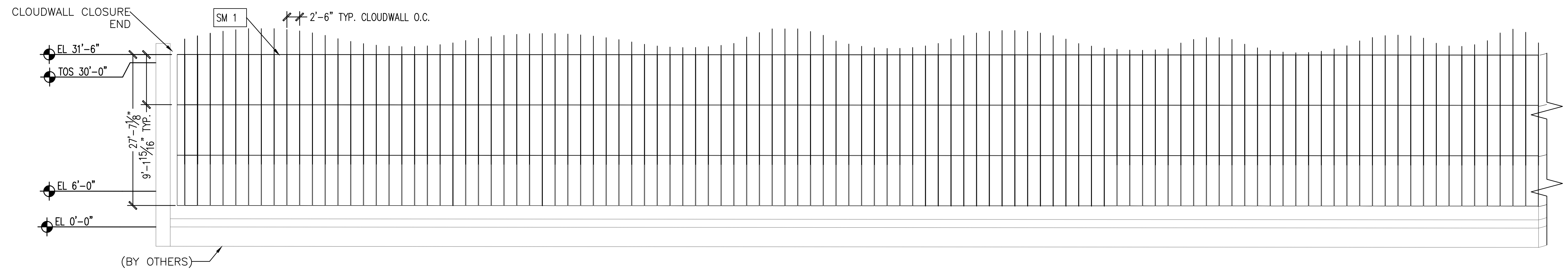
TITLE:
PLAN VIEW

SUBMITTAL-04

PROJECT NUMBER: 190121 SUBMITTAL:
DRAWING NO: Z20.2 04

1 PLAN VIEW
SCALE: 3/16" = 1'-0"
ZAHNER REF: XX
ARCH REF: 000-C-05-1006





1 CLOUDWALL ELEVATION VIEW
SCALE: 3/32" = 1'-0" ZAHNER REF: Z20.1, Z20.2
ARCH REF: XX

- PRELIMINARY
 - DBT Review -
 - Request for Information -
 - Engineering Analysis/Design -
- DESIGN DEVELOPMENT
 - Submittal for Approval - XX.XX.XX
 - Issued for Pricing -
 - Submitted for Permit -
 - Resubmittal for Approval -
- FOR CONSTRUCTION
 - For Construction/Fabrication -
 - Engineer of Record -
 - For Construction Revisions -
 - As-built Record Set -

NO	DATE	DR. BY:	CK. BY:	DESCRIPTION
1	11.9.18	LH	PM	FOR APPROVAL
2	04.02.19	LH	PM	FOR APPROVAL
3	06.05.19	LH	PM	FOR APPROVAL
4	07.22.20	AM	DM	FOR CONSTRUCTION
5	11.04.20	AM	DM	FOR CONSTRUCTION

PROPRIETARY NOTICE
This drawing sheet and contents herein are the property of A.Zahner Company. Use of this drawing, contents or design for purposes other than estimating, drawing preparation and/or manufacturing for A.Zahner Company shall be cause for legal recourse by A.Zahner Company.

ARCHITECT:
MWA ARCHITECTS
SAN FRANCISCO, CA

ARCHITECT:
NAME
LOCATION

CONTRACTOR:
NAME
LOCATION

ORIGINATOR:



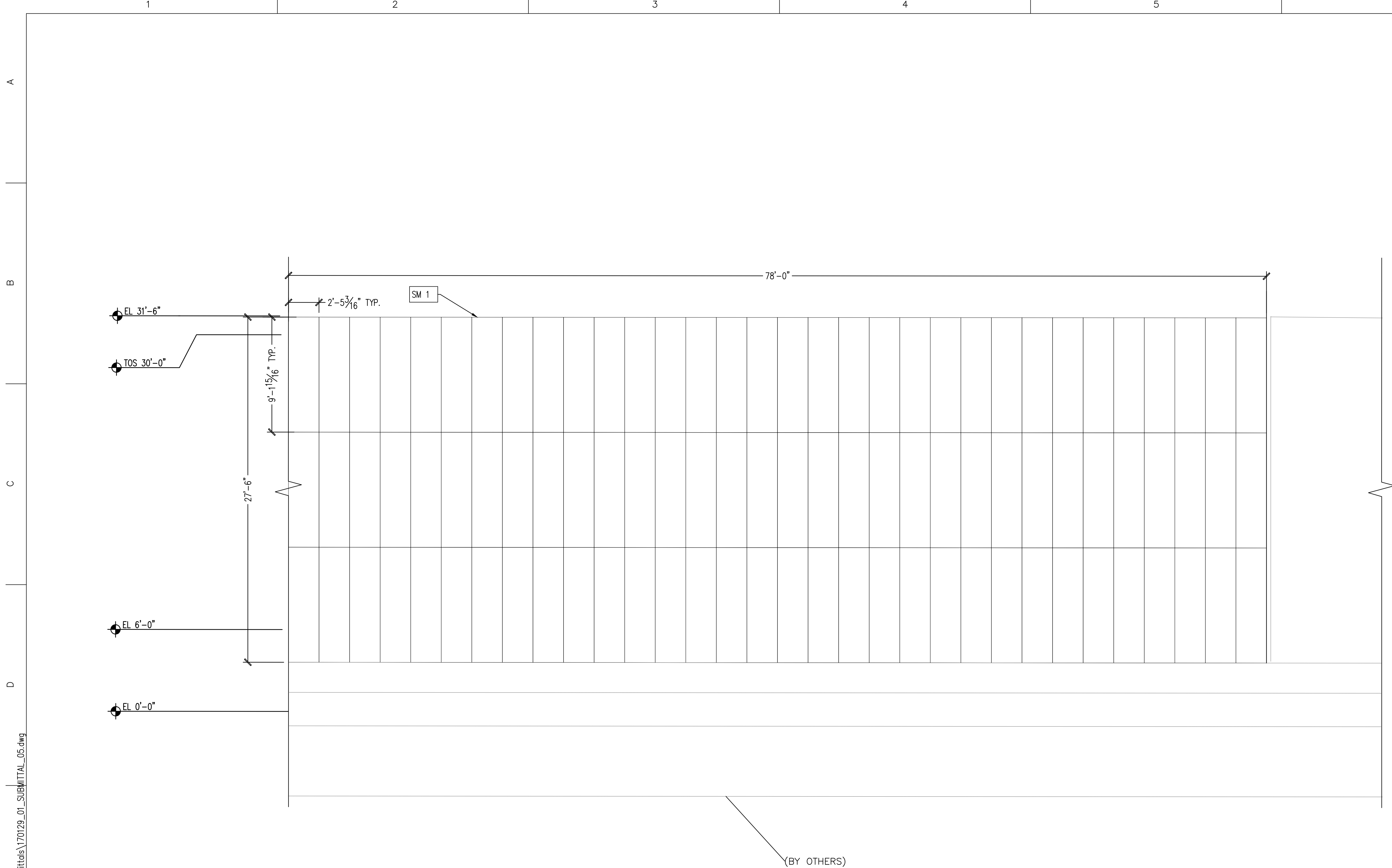
ARCHITECTURAL METAL
1400 EAST NINTH STREET TEL: (816) 474-8882
KANSAS CITY, MO. 64106 FAX: (816) 474-7994
WWW.AZAHNER.COM

PROJECT:
SF HEADWORKS
SAN FRANCISCO, CA

TITLE:
CLOUDWALL ELEVATION VIEW

SUBMITTAL-04

PROJECT NUMBER: 190121 SUBMITTAL:
DRAWING NO: Z30.1 04



1 **IMAGEWALL ELEVATION VIEW**
SCALE: 1/4" = 1'-0"

ZAHNER REF: Z20.1
ARCH REF: XX

- PRELIMINARY
 - DBT Review -
 - Request for Information -
 - Engineering Analysis/Design -
- DESIGN DEVELOPMENT
 - Submittal for Approval - XX.XX.XX
 - Issued for Pricing -
 - Submitted for Permit -
 - Resubmittal for Approval -
- FOR CONSTRUCTION
 - For Construction/Fabrication -
 - Engineer of Record -
 - For Construction Revisions -
 - As-built Record Set -

NO	DATE	DR. BY:	CK. BY:	DESCRIPTION
1	11.9.18	LH	PM	FOR APPROVAL
2	04.02.19	LH	PM	FOR APPROVAL
3	06.05.19	LH	PM	FOR APPROVAL
4	07.22.20	AM	DM	FOR CONSTRUCTION
5	11.04.20	AM	DM	FOR CONSTRUCTION

PROPRIETARY NOTICE

This drawing sheet and contents herein are the property of A.Zahner Company. Use of this drawing, contents or design for purposes other than estimating, drawing preparation and/or manufacturing for A.Zahner Company shall be cause for legal recourse by A.Zahner Company.

ARCHITECT:
MWA ARCHITECTS
SAN FRANCISCO, CA

ARCHITECT:
NAME
LOCATION

CONTRACTOR:
NAME
LOCATION

ORIGINATOR:



ARCHITECTURAL METAL

1400 EAST NINTH STREET TEL: (816) 474-8882
KANSAS CITY, MO. 64106 FAX: (816) 474-7994
WWW.AZAHNER.COM

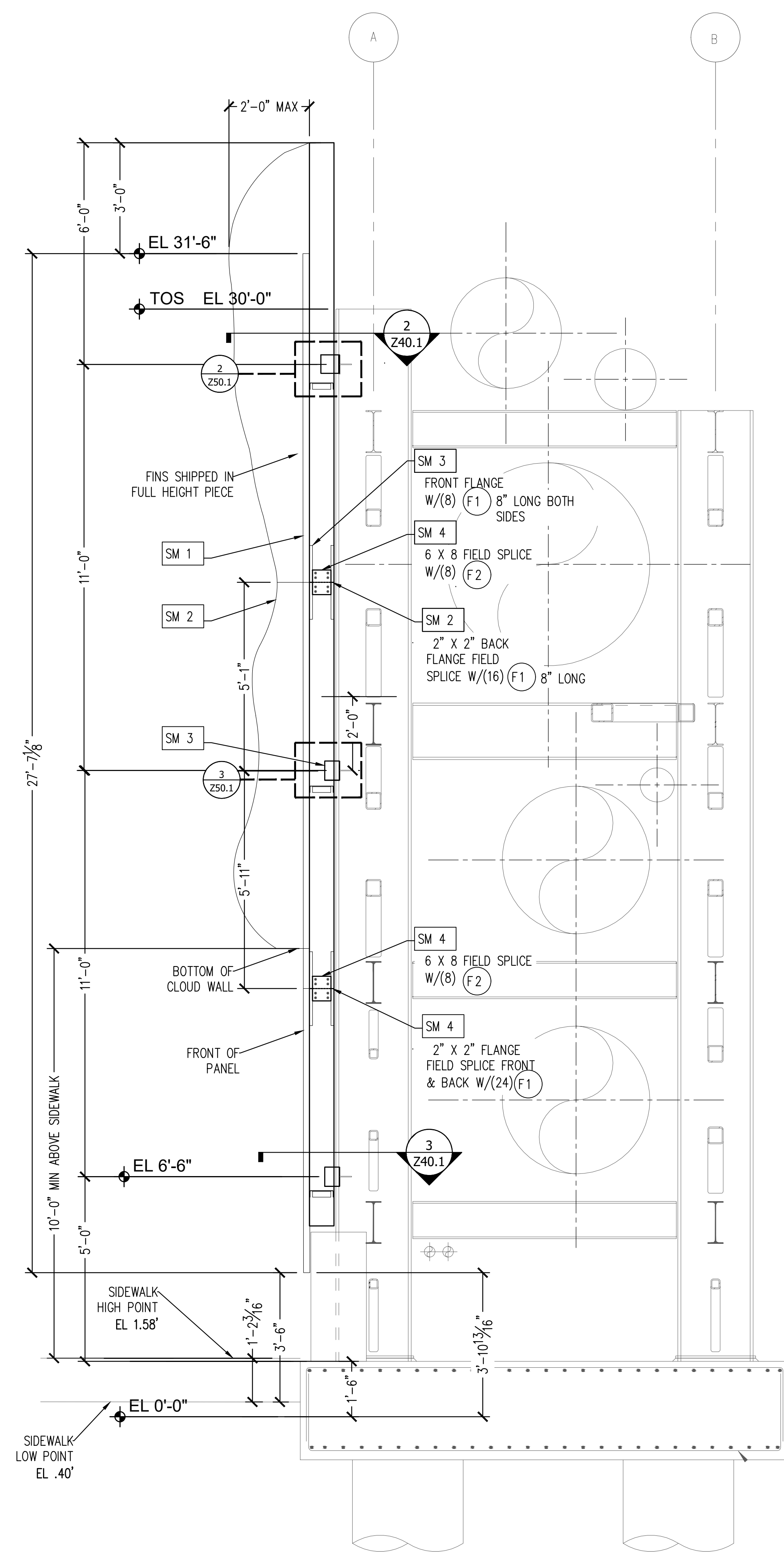
PROJECT:
SF HEADWORKS
SAN FRANCISCO, CA

TITLE:
IMAGEWALL ELEVATION VIEW

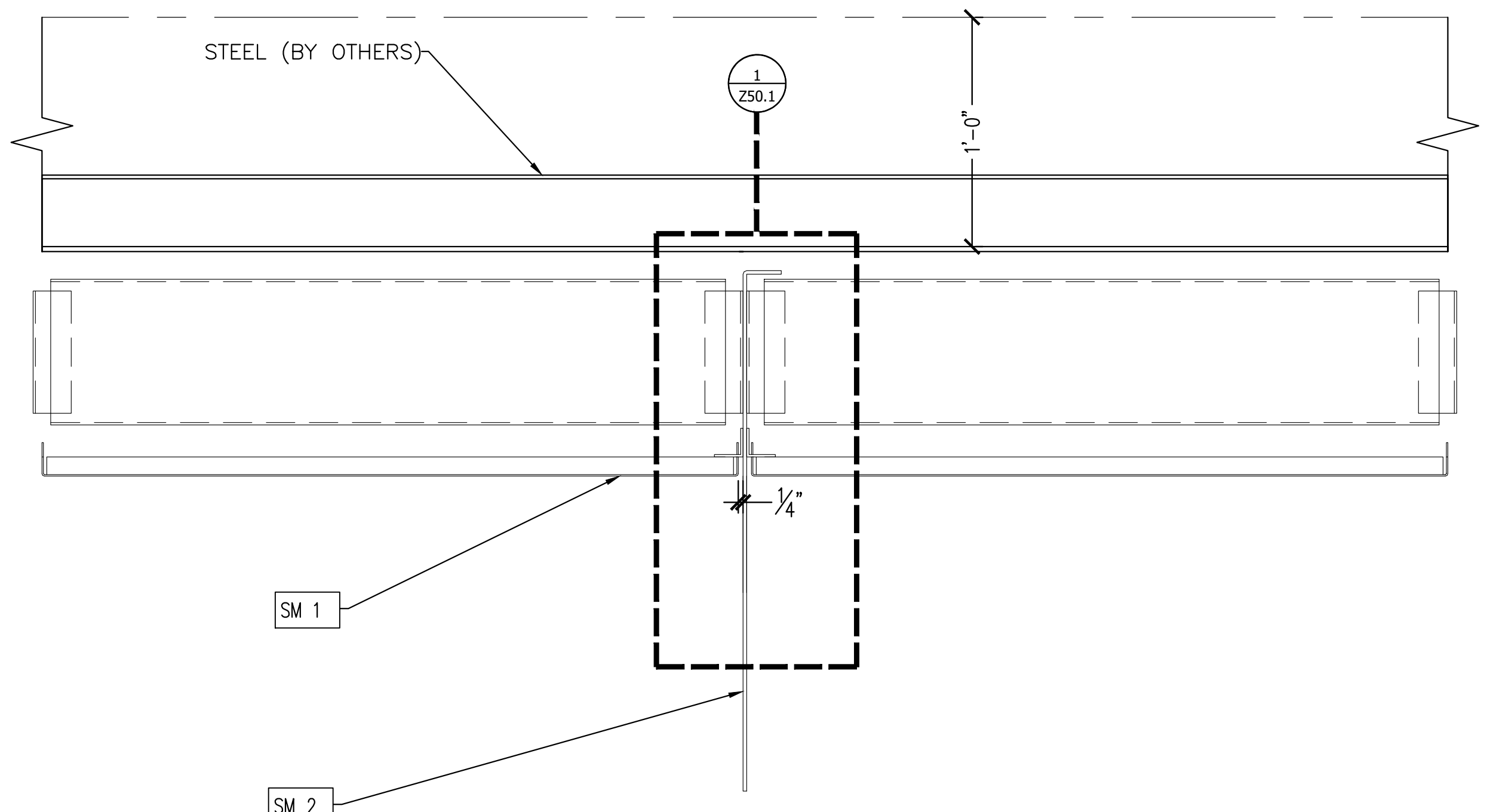
SUBMITTAL-04

PROJECT NUMBER: 190121 SUBMITTAL:
DRAWING NO: Z30.2 04

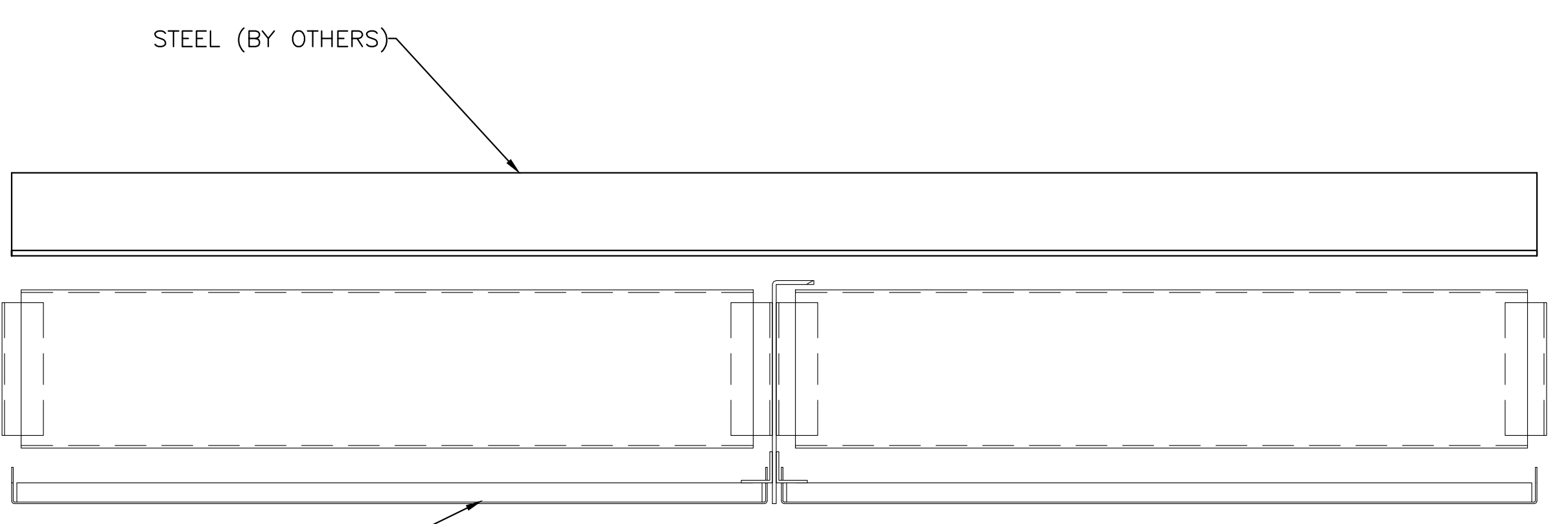
C:\Box\Active Projects\190151_SF_Headworks\PH_3_Headworks\PH_3_Headworks\DRW\Submittals\170129_01_SUBMITTAL_05.dwg
 E
 F



1 SECTION
 SCALE: 1/2"=1'-0"
 ZAHNER REF: Z20.1
 ARCH REF: 000-C-05-3002



2 PLAN SECTION FIN
 SCALE: 2"=1'-0"
 ZAHNER REF: 1/Z40.1
 ARCH REF: XX



3 PLAN SECTION LOWER
 SCALE: 2"=1'-0"
 ZAHNER REF: 1/Z40.1
 ARCH REF: XX

- PRELIMINARY
 - DBT Review -
 - Request for Information -
 - Engineering Analysis/Design -
- DESIGN DEVELOPMENT
 - Submittal for Approval - XX.XX.XX
 - Issued for Pricing -
 - Submitted for Permit -
 - Resubmittal for Approval -
- FOR CONSTRUCTION
 - For Construction/Fabrication -
 - Engineer of Record -
 - For Construction Revisions -
 - As-built Record Set -

NO	DATE	DR. BY:	CK. BY:	DESCRIPTION
1	11.9.18	LH	PM	FOR APPROVAL
2	04.02.19	LH	PM	FOR APPROVAL
3	06.05.19	LH	PM	FOR APPROVAL
4	07.22.20	AM	DM	FOR CONSTRUCTION
5	11.04.20	AM	DM	FOR CONSTRUCTION

PROPRIETARY NOTICE
 This drawing sheet and contents herein are the property of A.Zahner Company. Use of this drawing, contents or design for purposes other than estimating, drawing preparation and/or manufacturing for A.Zahner Company shall be cause for legal recourse by A.Zahner Company.

ARCHITECT:
 MWA ARCHITECTS
 SAN FRANCISCO, CA
 ARCHITECT:
 NAME
 LOCATION
 CONTRACTOR:
 NAME
 LOCATION
 ORIGINATOR:

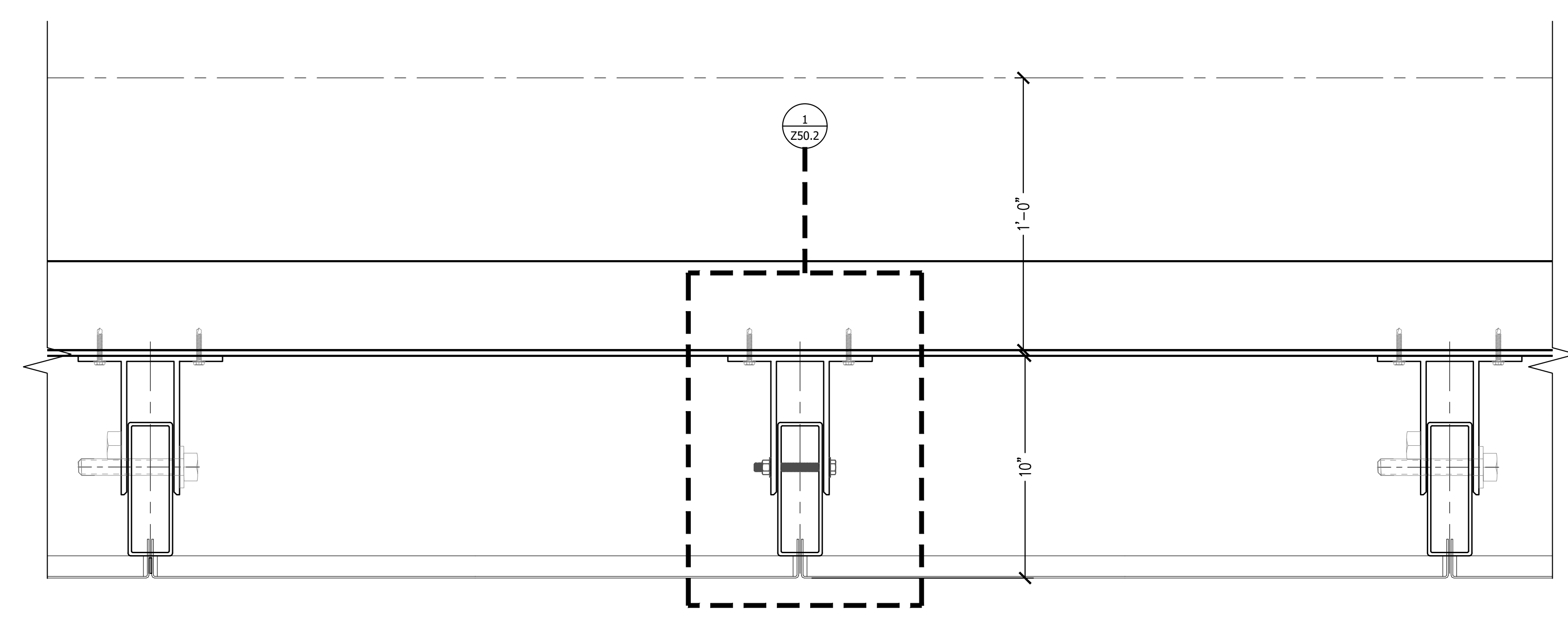
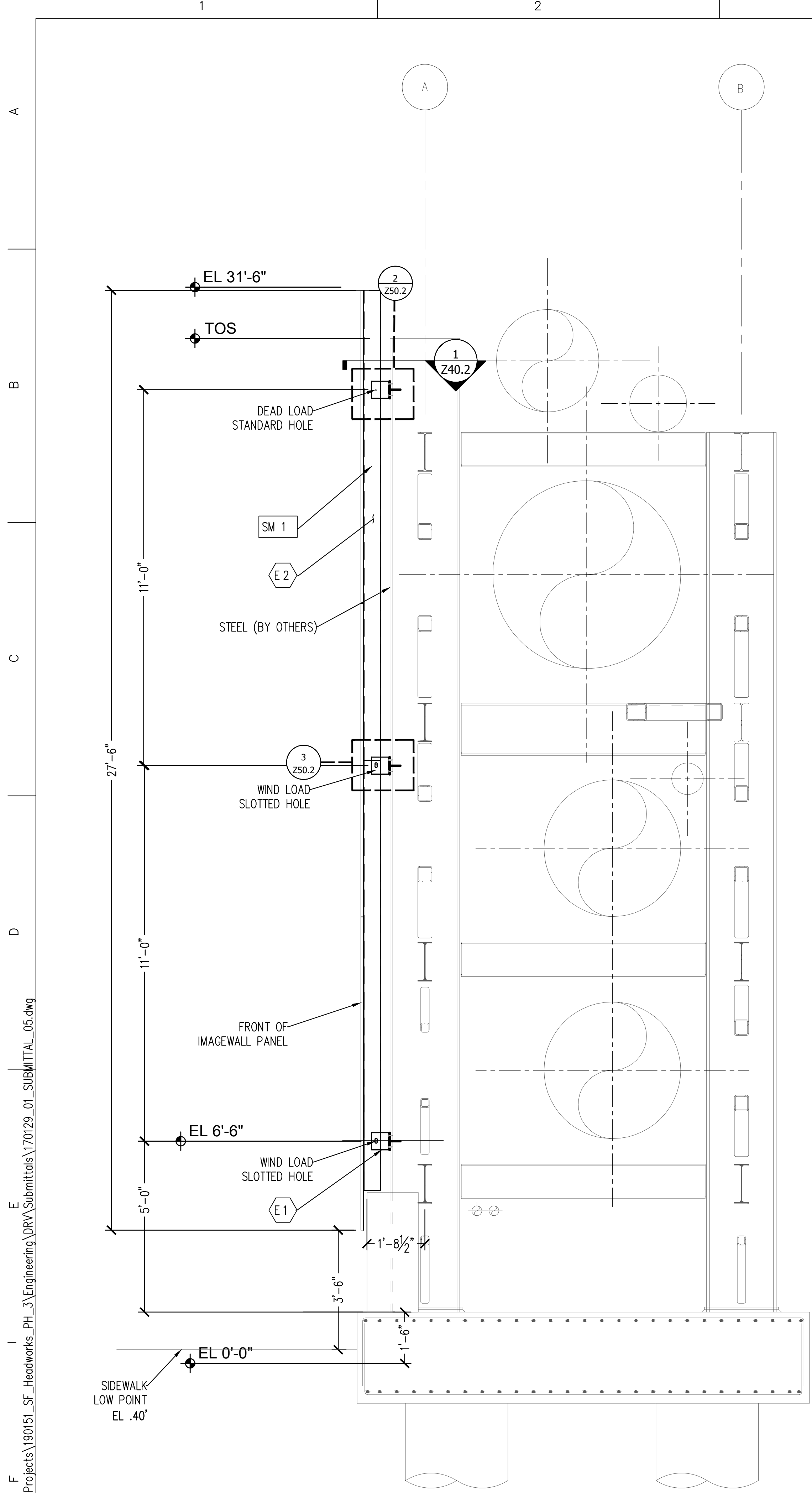
ZAHNER

ARCHITECTURAL METAL
 1400 EAST NINTH STREET TEL: (816) 474-8882
 KANSAS CITY, MO. 64106 FAX: (816) 474-7994
 WWW.AZAHNER.COM

PROJECT:
 SF HEADWORKS
 SAN FRANCISCO, CA
 TITLE:
 CLOUDWALL SECTION VIEW

SUBMITTAL-04

PROJECT NUMBER: 190121
 DRAWING NO: Z40.1
 SUBMITTAL: 04



- PRELIMINARY
 - DBT Review -
 - Request for Information -
 - Engineering Analysis/Design -
- DESIGN DEVELOPMENT
 - Submittal for Approval - XX.XX.XX
 - Issued for Pricing -
 - Submitted for Permit -
 - Resubmittal for Approval -
- FOR CONSTRUCTION
 - For Construction/Fabrication -
 - Engineer of Record -
 - For Construction Revisions -
 - As-built Record Set -

NO	DATE	DR. BY:	CK. BY:	DESCRIPTION
1	11.9.18	LH	PM	FOR APPROVAL
2	04.02.19	LH	PM	FOR APPROVAL
3	06.05.19	LH	PM	FOR APPROVAL
4	07.22.20	AM	DM	FOR CONSTRUCTION
5	11.04.20	AM	DM	FOR CONSTRUCTION

PROPRIETARY NOTICE
 This drawing sheet and contents herein are the property of A.Zahner Company. Use of this drawing, contents or design for purposes other than estimating, drawing preparation and/or manufacturing for A.Zahner Company shall be cause for legal recourse by A.Zahner Company.

ARCHITECT:
 MWA ARCHITECTS
 SAN FRANCISCO, CA

ARCHITECT:
 NAME
 LOCATION

CONTRACTOR:
 NAME
 LOCATION

ORIGINATOR:



ARCHITECTURAL METAL
 1400 EAST NINTH STREET TEL: (816) 474-8882
 KANSAS CITY, MO. 64106 FAX: (816) 474-7994
 WWW.AZAHNER.COM

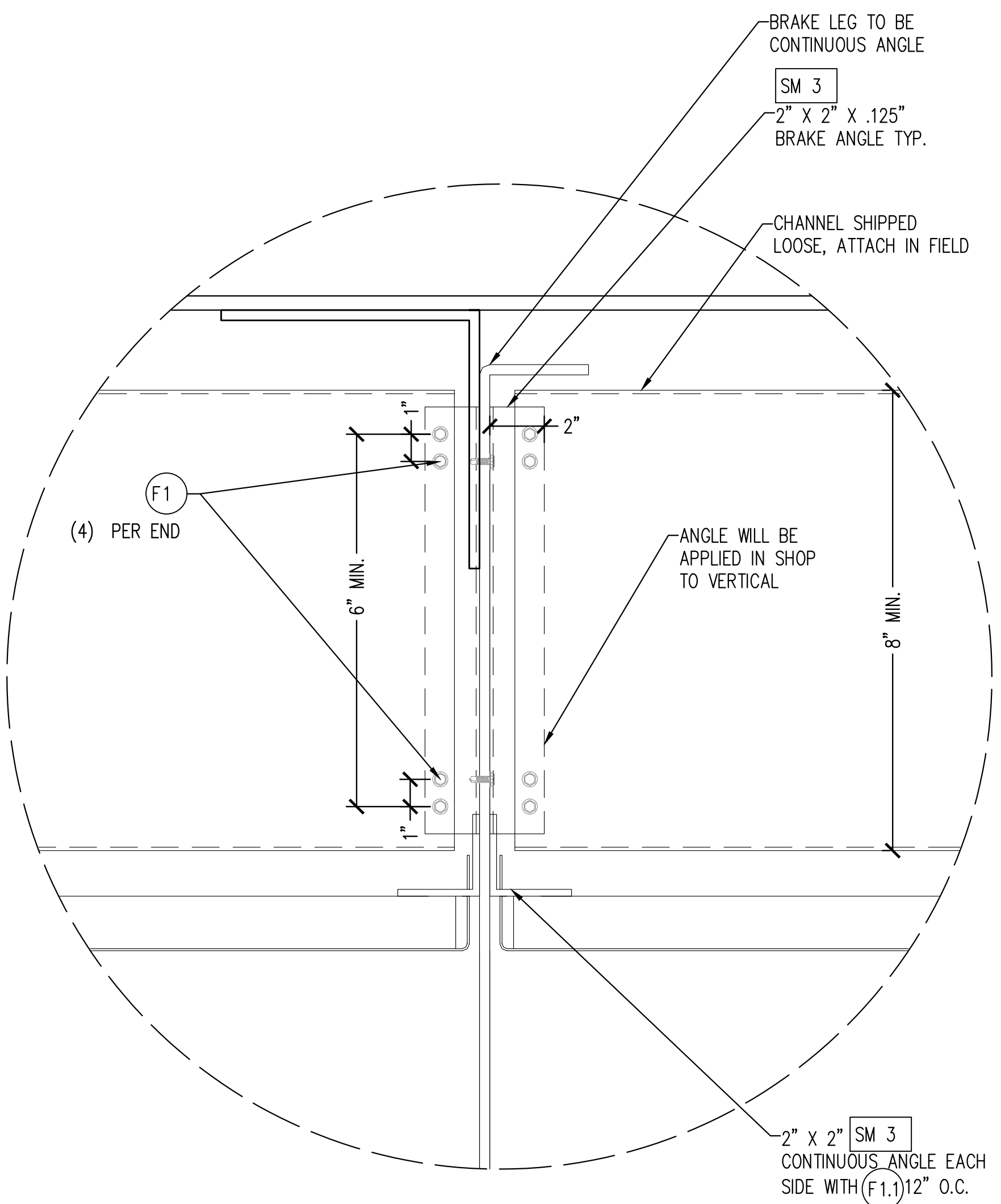
PROJECT:
 SF HEADWORKS
 SAN FRANCISCO, CA

TITLE:
 IMAGEWALL SECTION VIEW

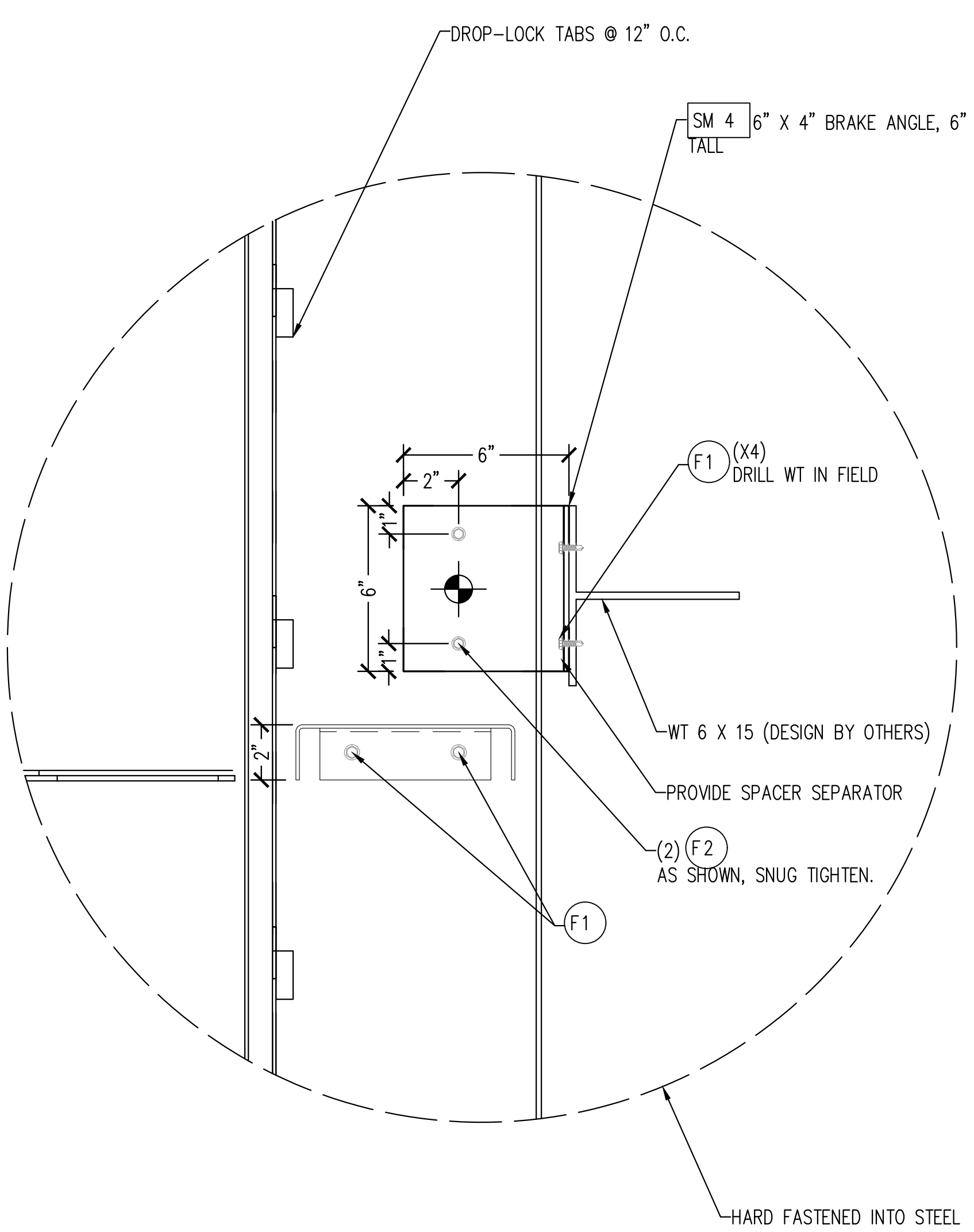
SUBMITTAL-04

PROJECT NUMBER: 190121 SUBMITTAL:
 DRAWING NO: Z40.2 04

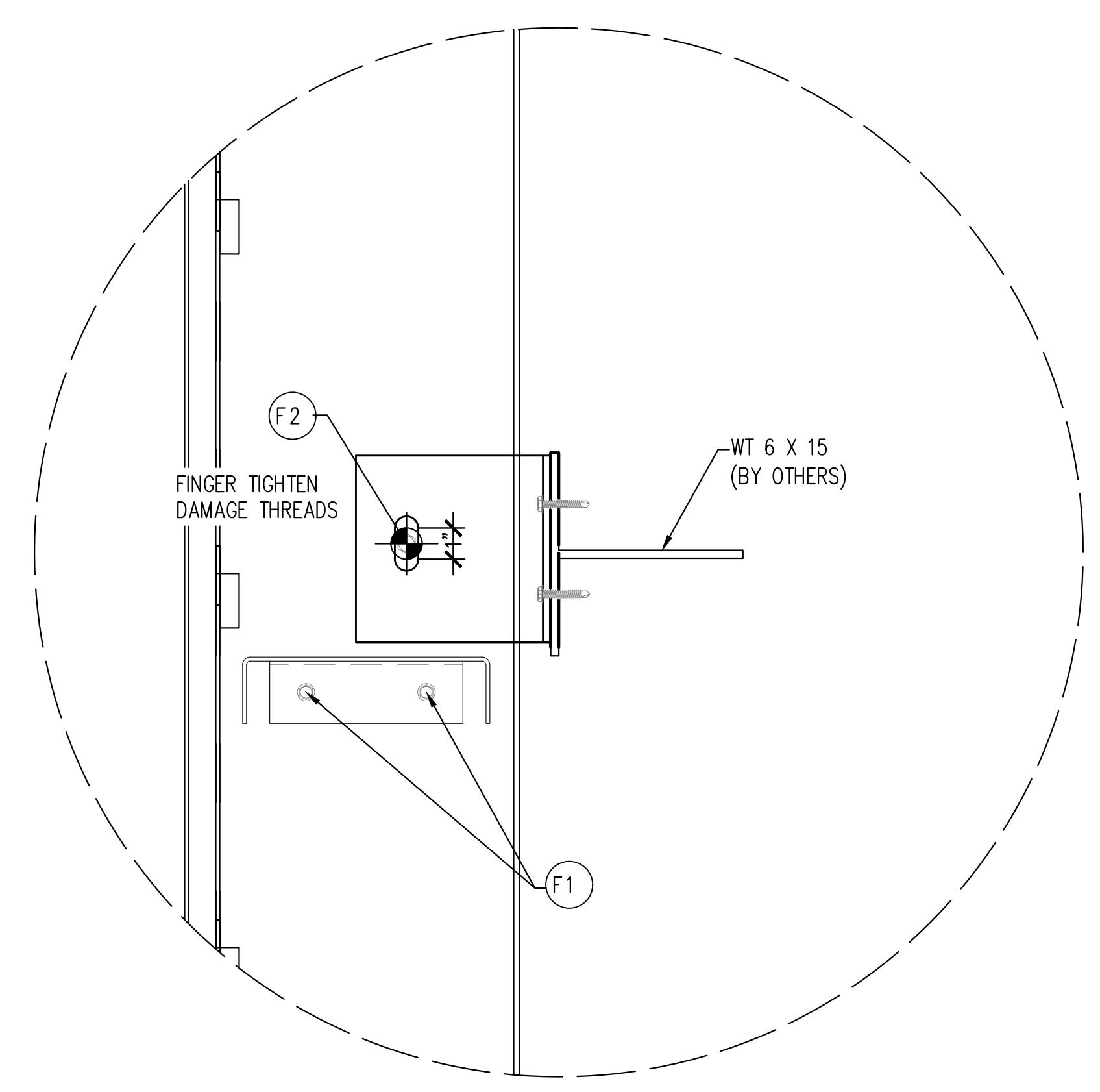
C:\Box\Active Projects\190151_SF_Headworks_PH_3_Headworks\PH_3_Headworks\DRW\Submittals\170129_01_SUBMITTAL_05.dwg



1 PLAN SECTION DETAIL
SCALE: 1/2"=1'-0" ZAHNER REF: Z40.1
ARCH REF: 000-C-05-3002



2 SECTION DETAIL DEAD LOAD ANCHOR
SCALE: 1/2"=1'-0" ZAHNER REF: Z40.1
ARCH REF: 000-C-05-3002



3 SECTION DETAIL WIND LOAD ANCHOR
SCALE: 1/2"=1'-0" ZAHNER REF: Z40.1
ARCH REF: 000-C-05-3002

CLADDING REACTIONS TO STRUCTURE, ACTING AT POINT SHOWN ABOVE:

$P_{DL} = 650 \text{ LB}$

NORMAL TO WALL:
 $P_{WL} = 550 \text{ LB (ASD, 0.6W)}$
 $P_{EQ} = 250 \text{ LB (ASD, 0.7E)}$

IN PLANE WALL (HORIZ):
 $P_{WL} = 400 \text{ lb (ASD, 0.6W)}$
 $P_{EQ} = 250 \text{ LB (ASD, 0.7W)}$

CLADDING REACTIONS TO STRUCTURE, ACTING AT POINT SHOWN ABOVE:

NORMAL TO WALL:
 $P_{WL} = 550 \text{ LB (ASD, 0.6W)}$
 $P_{EQ} = 250 \text{ LB (ASD, 0.7E)}$

IN PLANE WALL (HORIZ):
 $P_{WL} = 400 \text{ lb (ASD, 0.6W)}$
 $P_{EQ} = 250 \text{ LB (ASD, 0.7W)}$

- PRELIMINARY
 - DBT Review -
 - Request for Information -
 - Engineering Analysis/Design -
- DESIGN DEVELOPMENT
 - Submittal for Approval - XX.XX.XX
 - Issued for Pricing -
 - Submitted for Permit -
 - Resubmittal for Approval -
- FOR CONSTRUCTION
 - For Construction/Fabrication -
 - Engineer of Record -
 - For Construction Revisions -
 - As-built Record Set -

NO	DATE	DR. BY:	CK. BY:	DESCRIPTION
1	11.9.18	LH	PM	FOR APPROVAL
2	04.02.19	LH	PM	FOR APPROVAL
3	06.05.19	LH	PM	FOR APPROVAL
4	07.22.20	AM	DM	FOR CONSTRUCTION
5	11.04.20	AM	DM	FOR CONSTRUCTION

PROPRIETARY NOTICE
 This drawing sheet and contents herein are the property of A.Zahner Company. Use of this drawing, contents or design for purposes other than estimating, drawing preparation and/or manufacturing for A.Zahner Company shall be cause for legal recourse by A.Zahner Company.

ARCHITECT:
 MWA ARCHITECTS
 SAN FRANCISCO, CA

ARCHITECT:
 NAME
 LOCATION

CONTRACTOR:
 NAME
 LOCATION

ORIGINATOR:



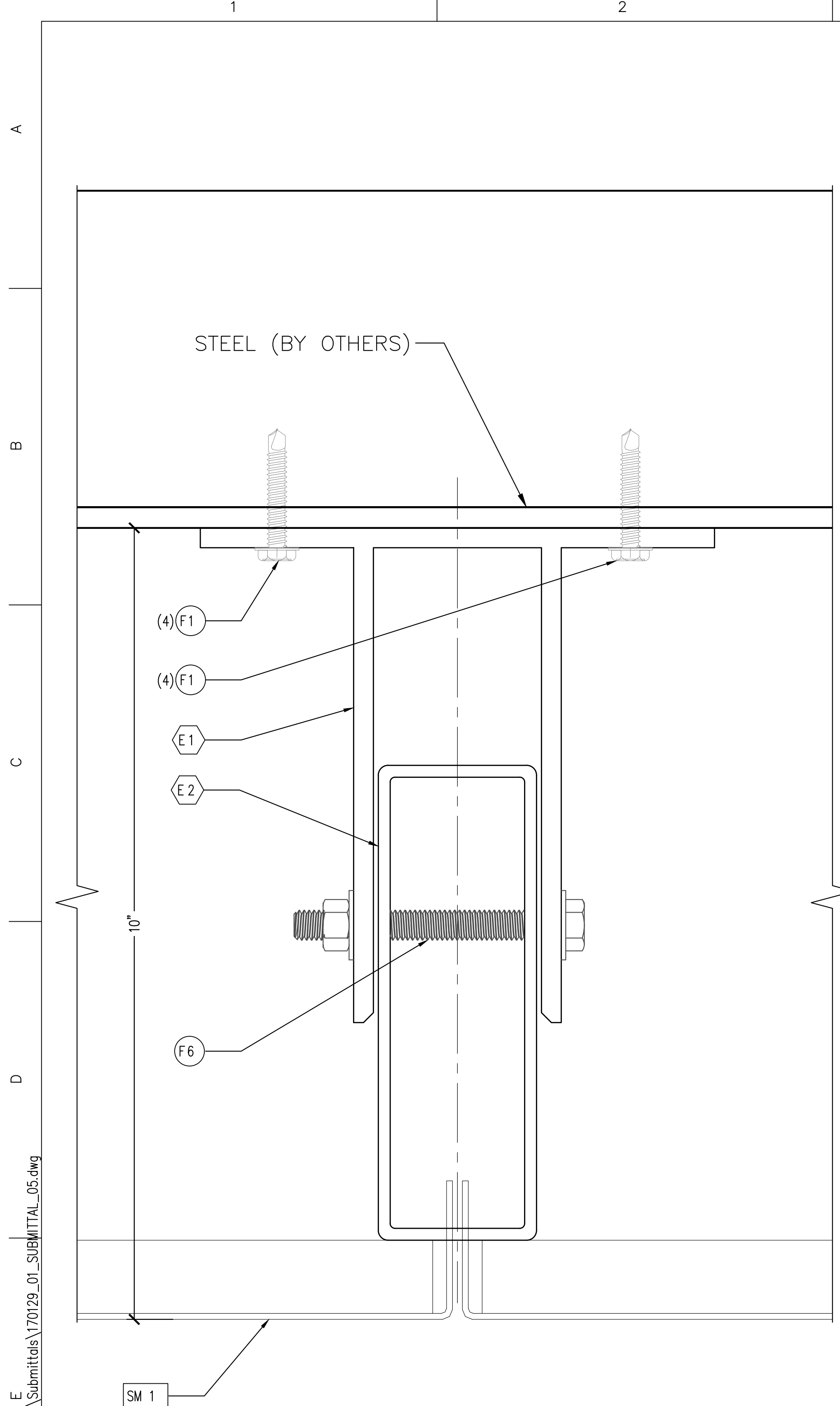
ARCHITECTURAL METAL
 1400 EAST NINTH STREET TEL: (816) 474-8882
 KANSAS CITY, MO. 64106 FAX: (816) 474-7994
 WWW.AZAHNER.COM

PROJECT:
 SF HEADWORKS
 SAN FRANCISCO, CA

TITLE:
 CLOUDWALL DETAILS

SUBMITTAL-04

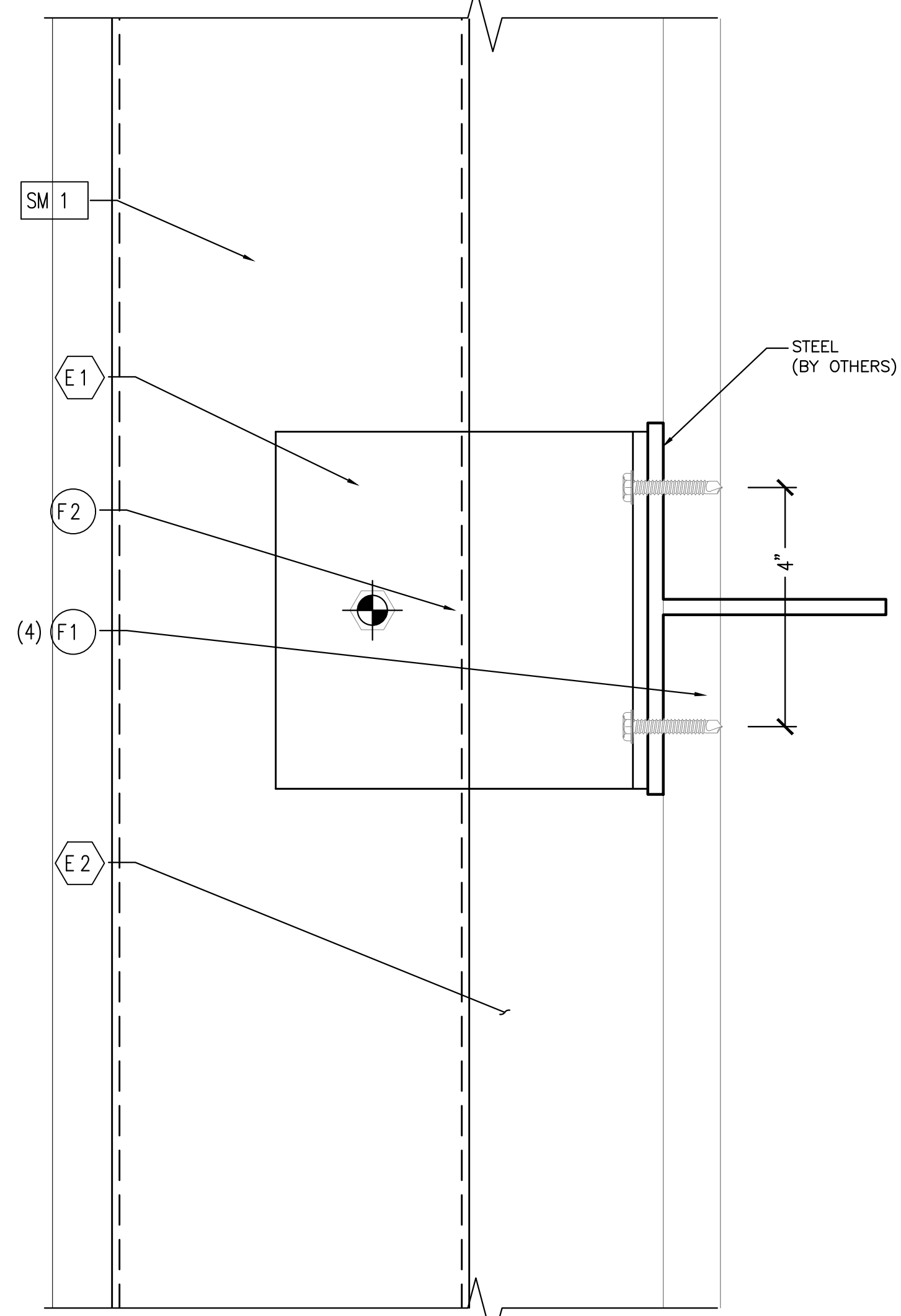
PROJECT NUMBER: 190121
 DRAWING NO: Z50.1
 SUBMITTAL: 04



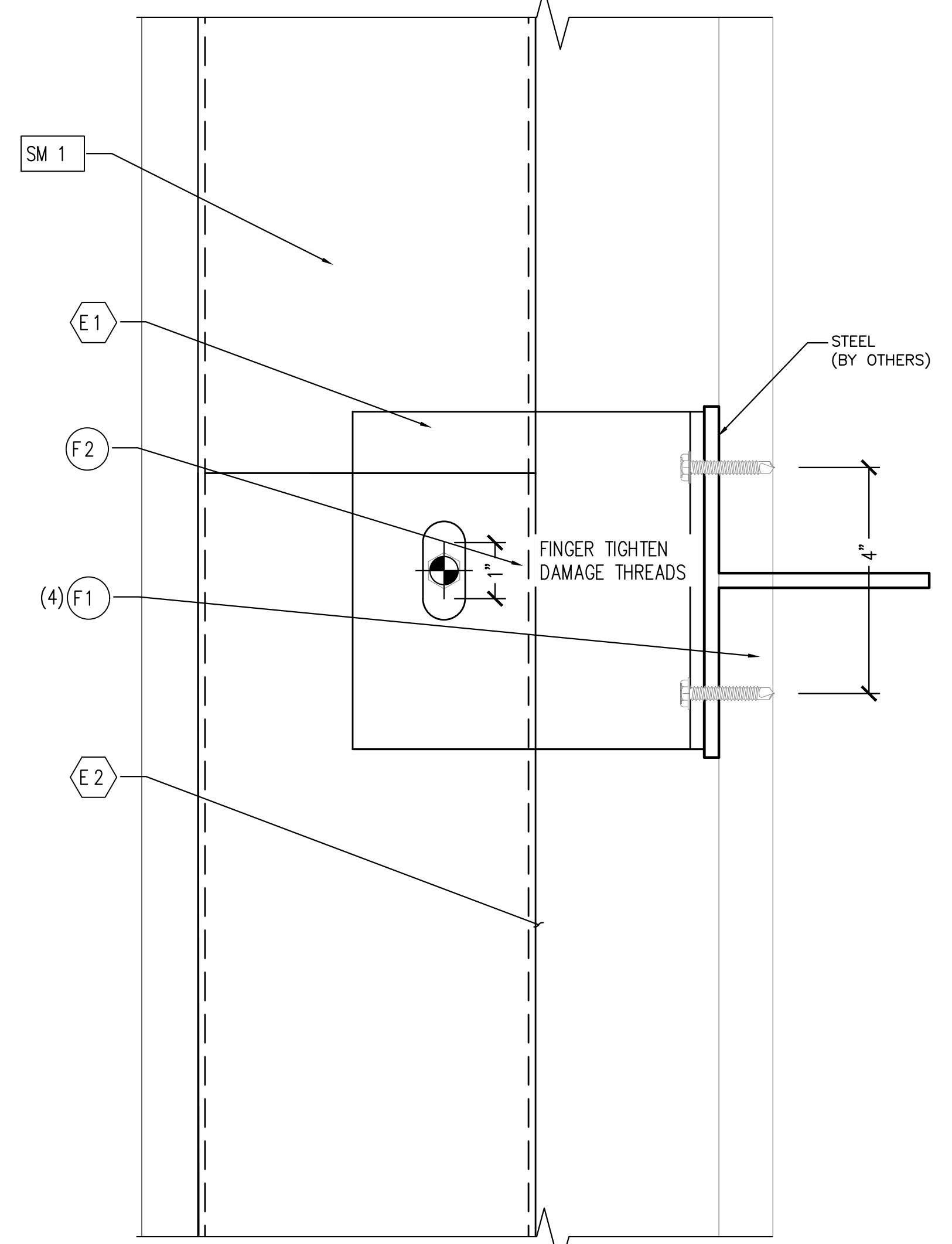
1 IMAGEWALL MULLION-PI ANCHOR PLAN DETAIL
 SCALE: 1'-0"=1'-0" ZAHNER REF: Z30.2
 ARCH REF: XX

INSTALLATION NOTE:

1. FASTEN ANCHORS TO WT STEEL
2. SET VERTICAL EXTRUSION TO CORRECT ELEVATION
3. ADJUST EXTRUSION IN/OUT WITHIN ANCHOR
4. DRILL BOLT HOLE INTO EXTRUSION, INSTALL BOLT



2 DEADLOAD DETAIL
 SCALE: 6"=1'-0" ZAHNER REF: Z40.2
 ARCH REF: XX



3 WINDLOAD DETAIL
 SCALE: 6"=1'-0" ZAHNER REF: Z40.2
 ARCH REF: XX

CLADDING REACTIONS TO STRUCTURE, ACTING AT POINT SHOWN ABOVE:

$P_{DL} = 700 \text{ LB}$

NORMAL TO WALL:
 $P_{WL} = 550 \text{ LB (ASD, 0.6W)}$
 $P_{EQ} = 250 \text{ LB (ASD, 0.7E)}$

IN PLANE WALL (HORIZ):
 $P_{EQ} = 250 \text{ LB (ASD, 0.7W)}$

CLADDING REACTIONS TO STRUCTURE, ACTING AT POINT SHOWN ABOVE:

NORMAL TO WALL:
 $P_{WL} = 550 \text{ LB (ASD, 0.6W)}$
 $P_{EQ} = 250 \text{ LB (ASD, 0.7E)}$

IN PLANE WALL (HORIZ):
 $P_{EQ} = 250 \text{ lb (ASD, 0.7W)}$

- PRELIMINARY
 - DBT Review -
 - Request for Information -
 - Engineering Analysis/Design -
- DESIGN DEVELOPMENT
 - Submittal for Approval - XX.XX.XX
 - Issued for Pricing -
 - Submitted for Permit -
 - Resubmittal for Approval -
- FOR CONSTRUCTION
 - For Construction/Fabrication -
 - Engineer of Record -
 - For Construction Revisions -
 - As-built Record Set -

NO	DATE	DR. BY:	CK. BY:	DESCRIPTION
1	11.9.18	LH	PM	FOR APPROVAL
2	04.02.19	LH	PM	FOR APPROVAL
3	06.05.19	LH	PM	FOR APPROVAL
4	07.22.20	AM	DM	FOR CONSTRUCTION
5	11.04.20	AM	DM	FOR CONSTRUCTION

PROPRIETARY NOTICE
 This drawing sheet and contents herein are the property of A.Zahner Company. Use of this drawing, contents or design for purposes other than estimating, drawing preparation and/or manufacturing for A.Zahner Company shall be cause for legal recourse by A.Zahner Company.

ARCHITECT:
 MWA ARCHITECTS
 SAN FRANCISCO, CA

ARCHITECT:
 NAME
 LOCATION

CONTRACTOR:
 NAME
 LOCATION

ORIGINATOR:

ZAHNER

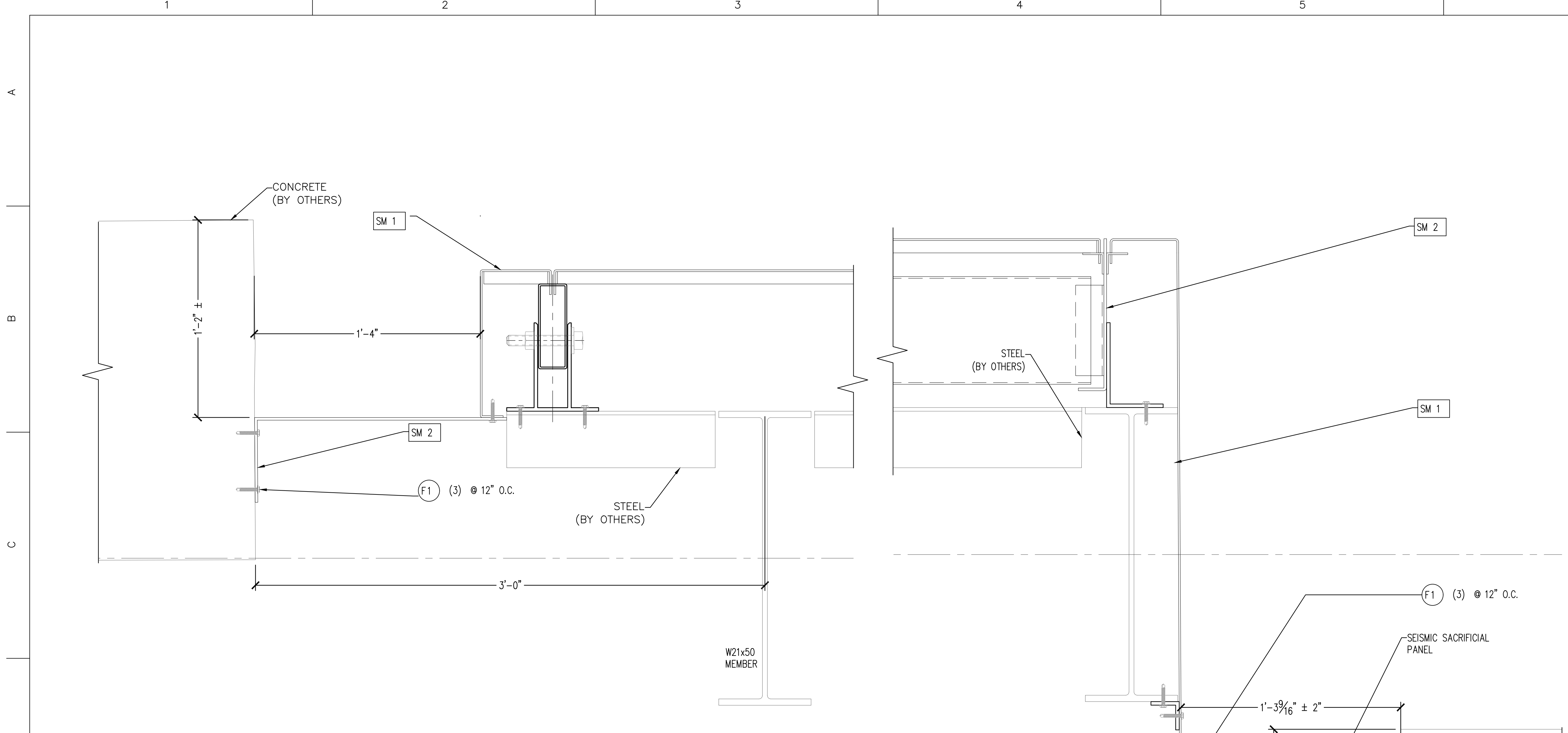
ARCHITECTURAL METAL
 1400 EAST NINTH STREET TEL: (816) 474-8882
 KANSAS CITY, MO. 64106 FAX: (816) 474-7994
 WWW.AZAHNER.COM

PROJECT:
 SF HEADWORKS
 SAN FRANCISCO, CA

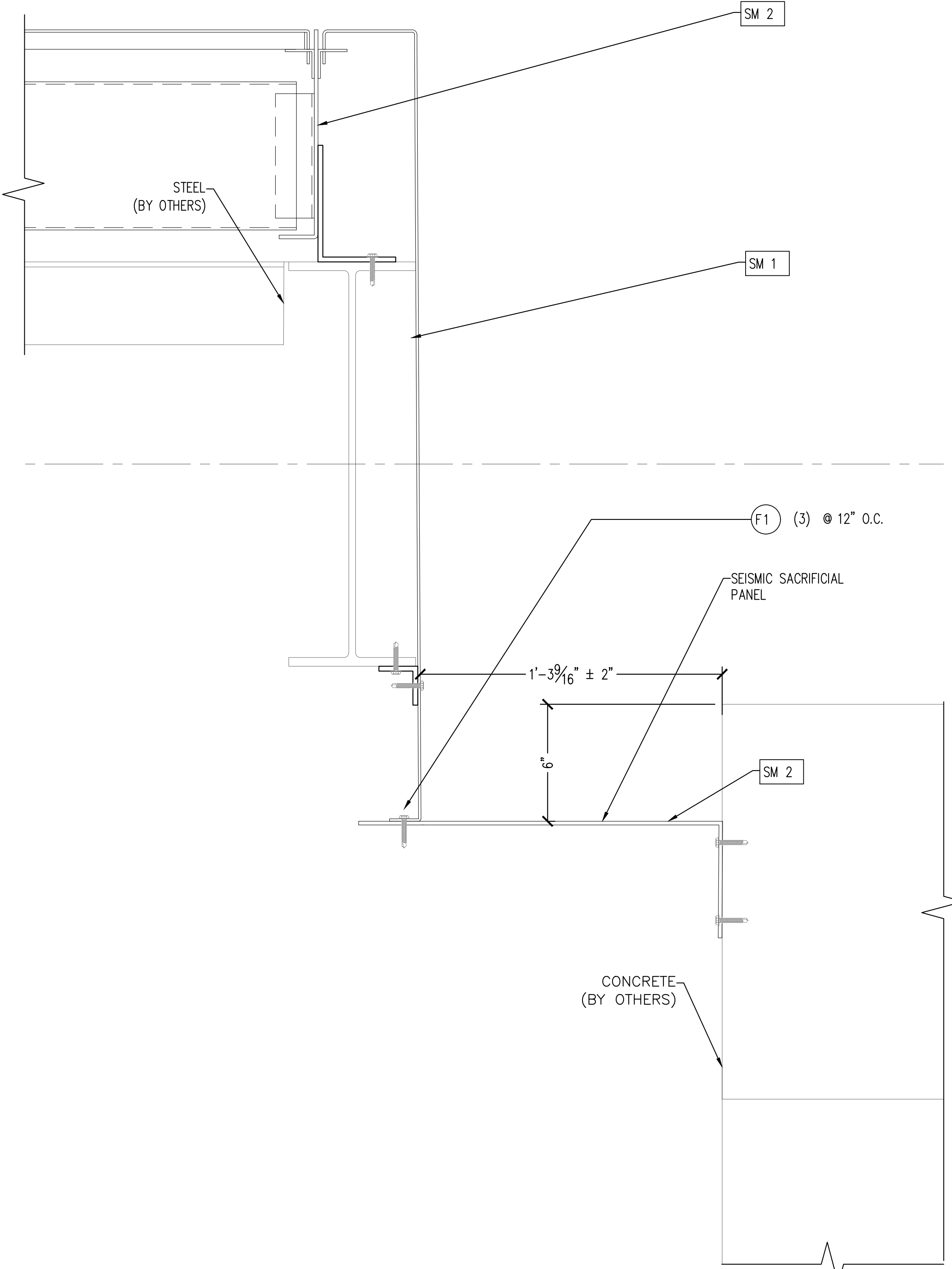
TITLE:
 IMAGEWALL DETAILS

SUBMITTAL-04

PROJECT NUMBER: 190121 SUBMITTAL:
 DRAWING NO: 04
 Z50.2



1 **IMAGEWALL ADJUSTABLE END CLOSURE PLAN DETAIL**
 SCALE: 3"=1'-0"
 ZAHNER REF: Z20.1
 ARCH REF: 000-C-05-1002



2 **CLOUDWALL ADJUSTABLE END CLOSURE PLAN DETAIL**
 SCALE: 3"=1'-0"
 ZAHNER REF: Z20.2
 ARCH REF: 000-C-05-1006

- PRELIMINARY
 - DBT Review -
 - Request for Information -
 - Engineering Analysis/Design -
- DESIGN DEVELOPMENT
 - Submittal for Approval - XX.XX.XX
 - Issued for Pricing -
 - Submitted for Permit -
 - Resubmittal for Approval -
- FOR CONSTRUCTION
 - For Construction/Fabrication -
 - Engineer of Record -
 - For Construction Revisions -
 - As-built Record Set -

NO	DATE	DR. BY:	CK. BY:	DESCRIPTION
1	11.9.18	LH	PM	FOR APPROVAL
2	04.02.19	LH	PM	FOR APPROVAL
3	06.05.19	LH	PM	FOR APPROVAL
4	07.22.20	AM	DM	FOR CONSTRUCTION
5	11.04.20	AM	DM	FOR CONSTRUCTION

PROPRIETARY NOTICE
 This drawing sheet and contents herein are the property of A.Zahner Company. Use of this drawing, contents or design for purposes other than estimating, drawing preparation and/or manufacturing for A.Zahner Company shall be cause for legal recourse by A.Zahner Company.

ARCHITECT:
 MWA ARCHITECTS
 SAN FRANCISCO, CA

ARCHITECT:
 NAME
 LOCATION

CONTRACTOR:
 NAME
 LOCATION

ORIGINATOR:



ARCHITECTURAL METAL
 1400 EAST NINTH STREET TEL: (816) 474-8882
 KANSAS CITY, MO. 64106 FAX: (816) 474-7994
 WWW.AZAHNER.COM

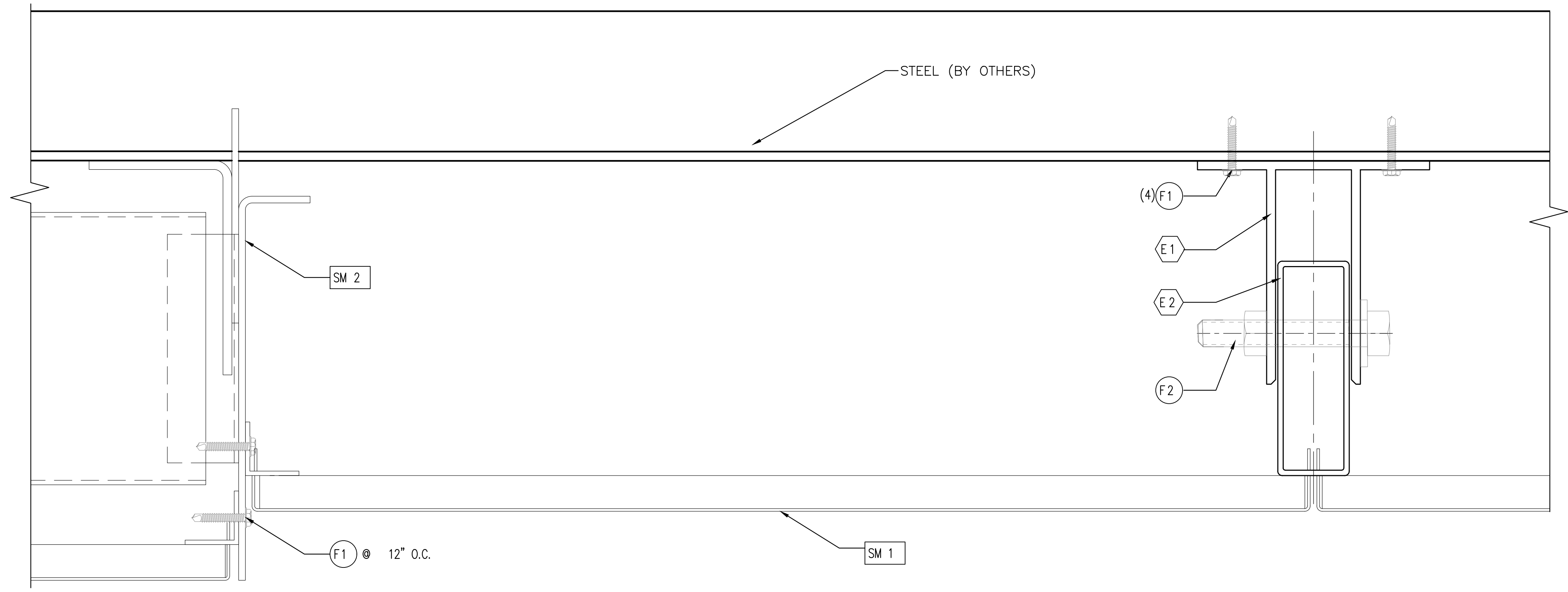
PROJECT:
 SF HEADWORKS
 SAN FRANCISCO, CA

TITLE:
 CLOSURE DETAILS

SUBMITTAL-04

PROJECT NUMBER: 190121
 DRAWING NO: 750.3
 SUBMITTAL: 04

C:\Box\Active Projects\190151_SF_Headworks_PH_3_Headworks_PH_3_Engineering\DRW\Submittals\170129_01_SUBMITTAL_05.dwg



1 CLOUDWALL/IMAGEWALL TRANSITION
 SCALE: 6"=1'-0"
 ZAHNER REF: Z20.1
 ARCH REF: 000-C-05-1002

- PRELIMINARY
 - DBT Review -
 - Request for Information -
 - Engineering Analysis/Design -
- DESIGN DEVELOPMENT
 - Submittal for Approval - XX.XX.XX
 - Issued for Pricing -
 - Submittal for Permit -
 - Resubmittal for Approval -
- FOR CONSTRUCTION
 - For Construction/Fabrication -
 - Engineer of Record -
 - For Construction Revisions -
 - As-built Record Set -

NO	DATE	DR. BY:	CK. BY:	DESCRIPTION
1	11.9.18	LH	PM	FOR APPROVAL
2	04.02.19	LH	PM	FOR APPROVAL
3	06.05.19	LH	PM	FOR APPROVAL
4	07.22.20	AM	DM	FOR CONSTRUCTION
5	11.04.20	AM	DM	FOR CONSTRUCTION

PROPRIETARY NOTICE
 This drawing sheet and contents herein are the property of A.Zahner Company. Use of this drawing, contents or design for purposes other than estimating, drawing preparation and/or manufacturing for A.Zahner Company shall be cause for legal recourse by A.Zahner Company.

ARCHITECT:
 MWA ARCHITECTS
 SAN FRANCISCO, CA

ARCHITECT:
 NAME
 LOCATION

CONTRACTOR:
 NAME
 LOCATION

ORIGINATOR:



ARCHITECTURAL METAL
 1400 EAST NINTH STREET TEL: (816) 474-8882
 KANSAS CITY, MO. 64106 FAX: (816) 474-7994
 WWW.AZAHNER.COM

PROJECT:
 SF HEADWORKS
 SAN FRANCISCO, CA

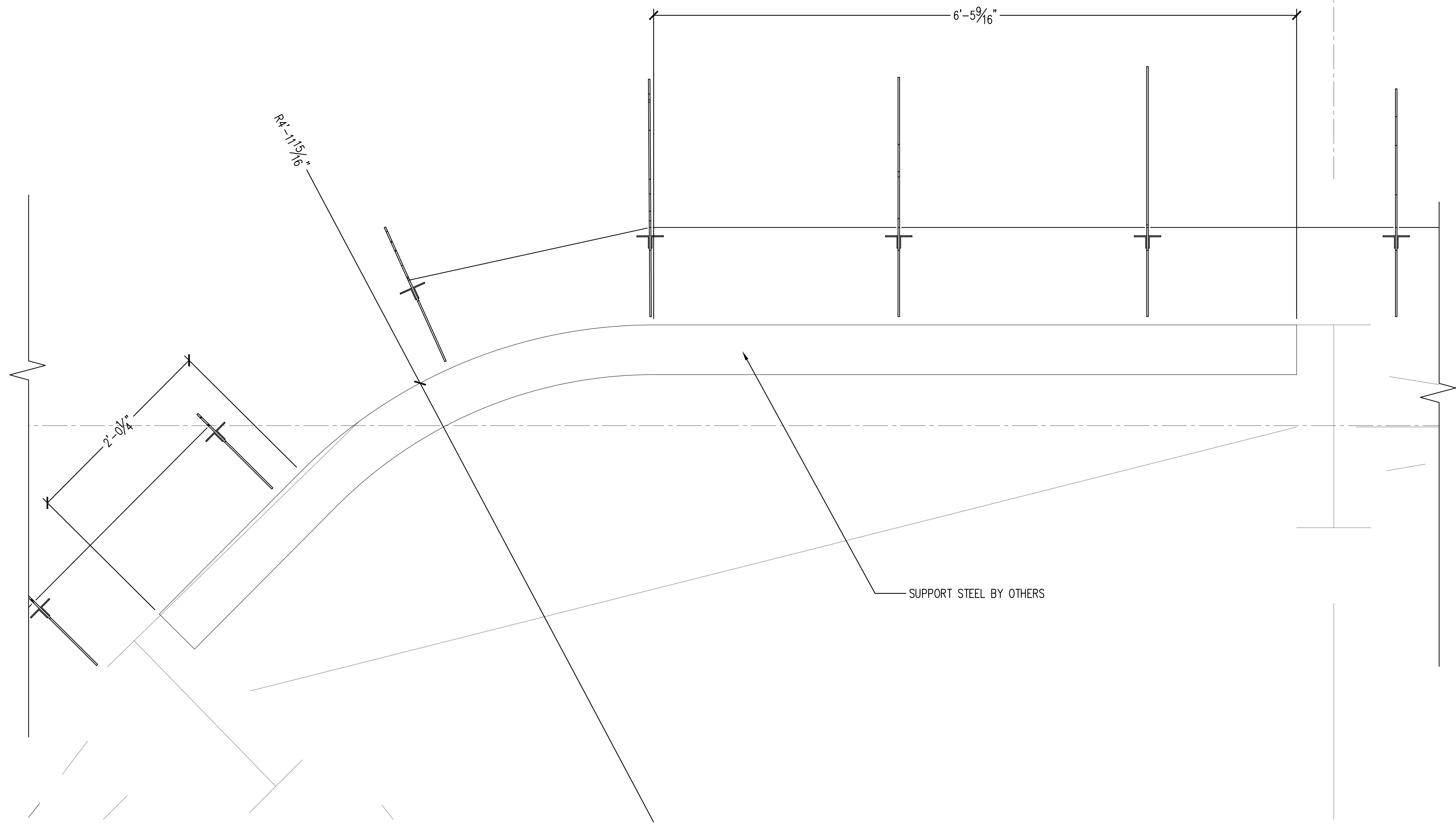
TITLE:
 CLOUDWALL/IMAGEWALL TRANSITION

SUBMITTAL-04

PROJECT NUMBER: 190121
 DRAWING NO: 50.4
 SUBMITTAL: 04

1 2 3 4 5 6

A
B
C
D
E
F



① **OUTSIDE CORNER**
 SCALE: 1-1/2"=1'-0"
 ZAHNER REF: Z20.1
 ARCH REF: 000-C-05-1002

- PRELIMINARY
 - DBT Review -
 - Request for Information -
 - Engineering Analysis/Design -
- DESIGN DEVELOPMENT
 - Submittal for Approval - XX.XX.XX
 - Issued for Pricing -
 - Submitted for Permit -
 - Resubmittal for Approval -
- FOR CONSTRUCTION
 - For Construction/Fabrication -
 - Engineer of Record -
 - For Construction Revisions -
 - As-built Record Set -

NO	DATE	DR. BY:	CHK. BY:	DESCRIPTION
1	11.9.18	LH	PM	FOR APPROVAL
2	04.02.19	LH	PM	FOR APPROVAL
3	06.05.19	LH	PM	FOR APPROVAL
4	07.22.20	AM	DM	FOR CONSTRUCTION
5	11.04.20	AM	DM	FOR CONSTRUCTION

PROPRIETARY NOTICE
 This drawing sheet and contents herein are the property of A.Zahner Company. Use of this drawing, contents or design for purposes other than estimating, drawing preparation and/or manufacturing for A.Zahner Company shall be cause for legal recourse by A.Zahner Company.

ARCHITECT:
 MWA ARCHITECTS
 SAN FRANCISCO, CA

ARCHITECT:
 NAME
 LOCATION

CONTRACTOR:
 NAME
 LOCATION

ORIGINATOR:



ARCHITECTURAL METAL
 1400 EAST NINTH STREET TEL: (816) 474-8882
 KANSAS CITY, MO. 64106 FAX: (816) 474-7994
 WWW.AZAHNER.COM

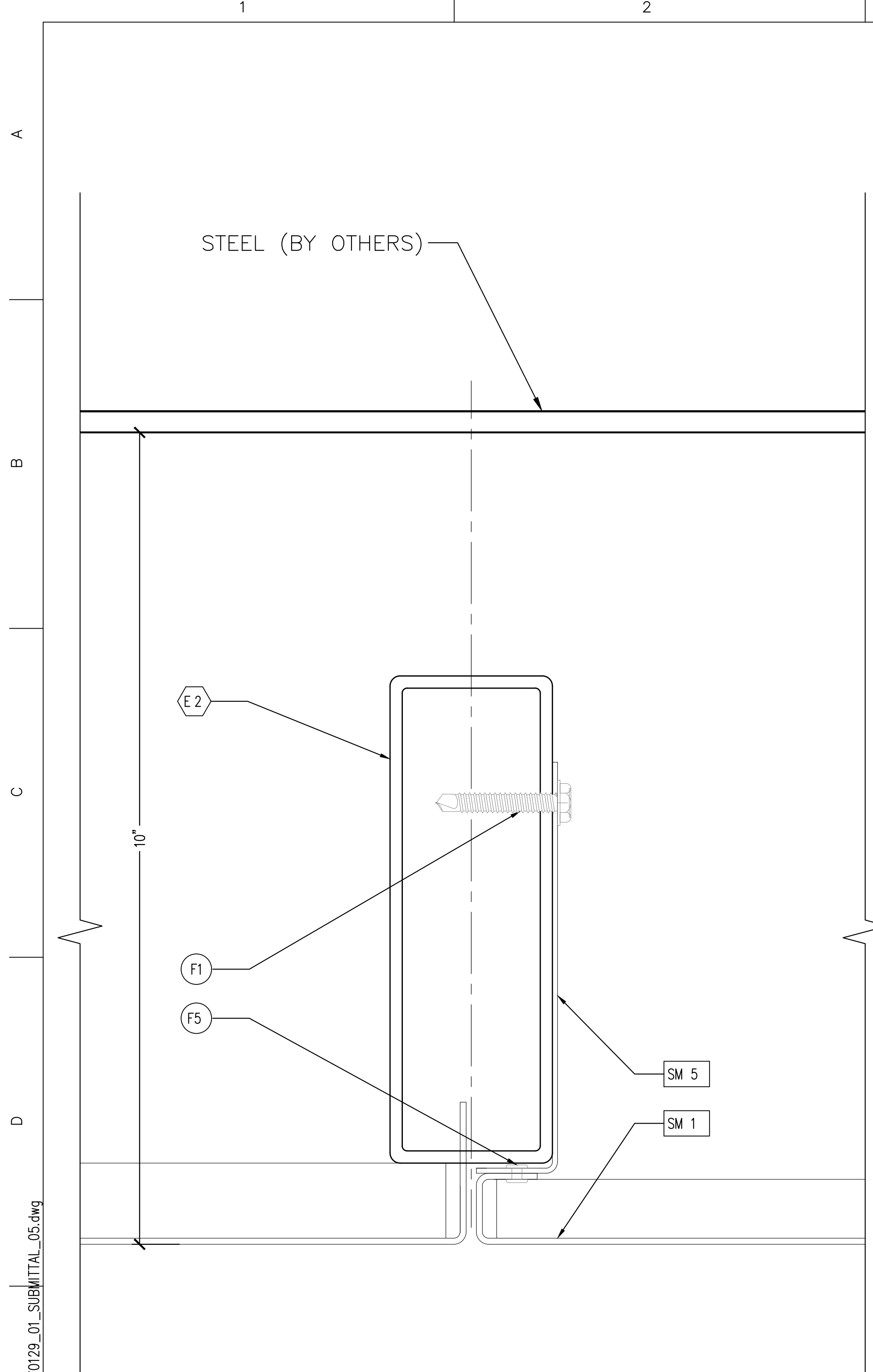
PROJECT:
 SF HEADWORKS
 SAN FRANCISCO, CA

TITLE:
 OUTSIDE CORNER

SUBMITTAL-04

PROJECT NUMBER: 190121 SUBMITTAL:
 DRAWING NO: 04
 Z50.5

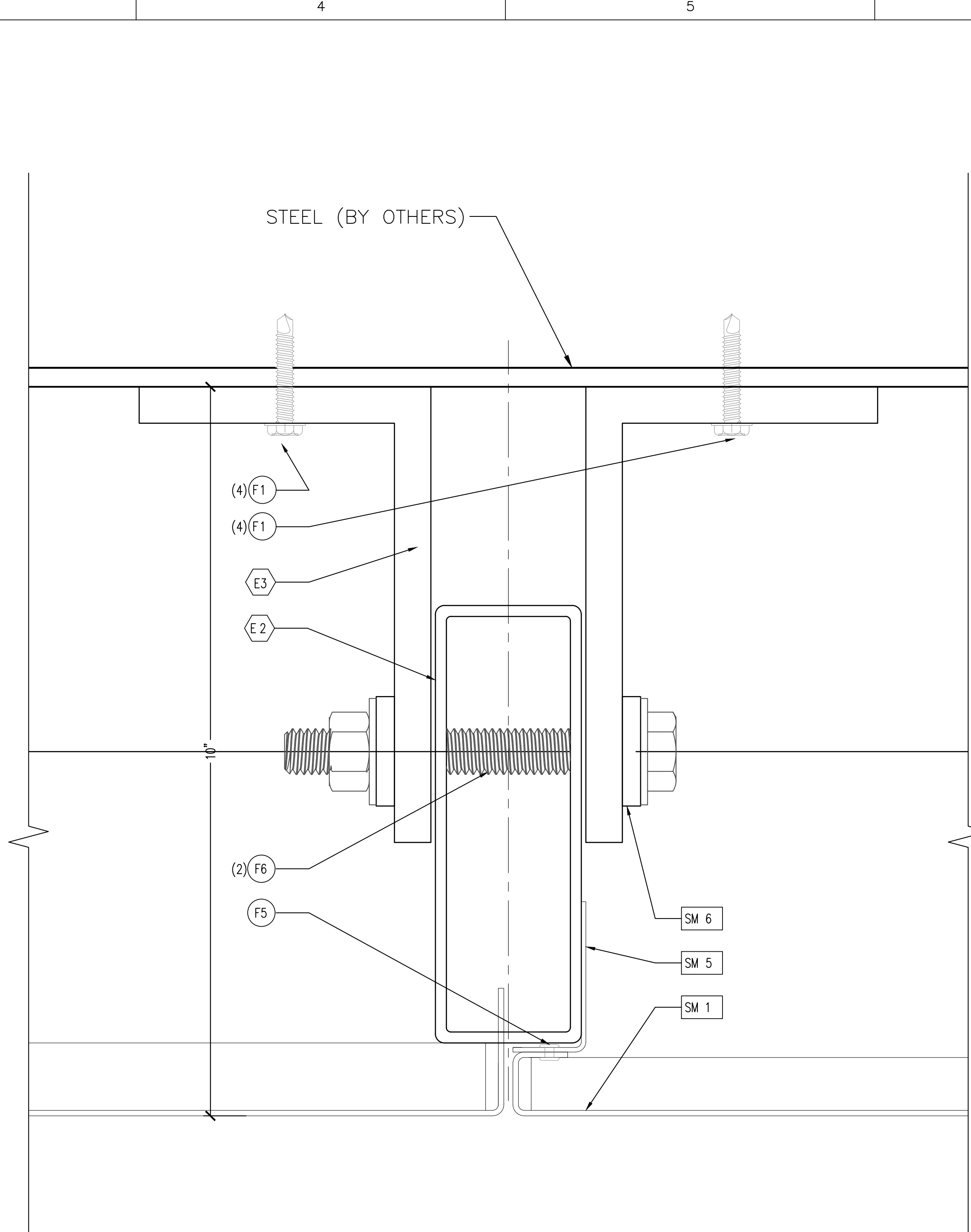
C:\Box\Active Projects\190151_SF_Headworks_PH_3_Headworks\PH_3_Headworks\DRW\Submittals\170129_01_SUBMITTAL_05.dwg



1 IMAGEWALL PANEL-MULLION PLAN DETAIL © CONSUMABLE PANEL
 SCALE: 1'-0"=1'-0" ZAHNER REF: Z30.2 ARCH REF: XX

C:\Box\Active Projects\190151_SF_Headworks_PH_3_Headworks\DRW\Submittals\170129_01_SUBMITTAL_05.dwg

A B C D E F



1 IMAGEWALL MULLION-ANGLE ANCHOR PLAN DETAIL © CONSUMABLE PANEL
 SCALE: 1'-0"=1'-0" ZAHNER REF: Z30.2 ARCH REF: XX

- PRELIMINARY
 - DBT Review -
 - Request for Information -
 - Engineering Analysis/Design -
- DESIGN DEVELOPMENT
 - Submittal for Approval - XX.XX.XX
 - Issued for Pricing -
 - Submitted for Permit -
 - Resubmittal for Approval -
- FOR CONSTRUCTION
 - For Construction/Fabrication -
 - Engineer of Record -
 - For Construction Revisions -
 - As-built Record Set -

NO	DATE	DR. BY:	CK. BY:	DESCRIPTION
1	11.9.18	LH	PM	FOR APPROVAL
2	04.02.19	LH	PM	FOR APPROVAL
3	06.05.19	LH	PM	FOR APPROVAL
4	07.22.20	AM	DM	FOR CONSTRUCTION
5	11.04.20	AM	DM	FOR CONSTRUCTION

PROPRIETARY NOTICE
 This drawing sheet and contents herein are the property of A.Zahner Company. Use of this drawing, contents or design for purposes other than estimating, drawing preparation and/or manufacturing for A.Zahner Company shall be cause for legal recourse by A.Zahner Company.

ARCHITECT:
 MWA ARCHITECTS
 SAN FRANCISCO, CA

ARCHITECT:
 NAME
 LOCATION

CONTRACTOR:
 NAME
 LOCATION

ORIGINATOR:



ARCHITECTURAL METAL
 1400 EAST NINTH STREET TEL: (816) 474-8882
 KANSAS CITY, MO. 64106 FAX: (816) 474-7994
 WWW.AZAHNER.COM

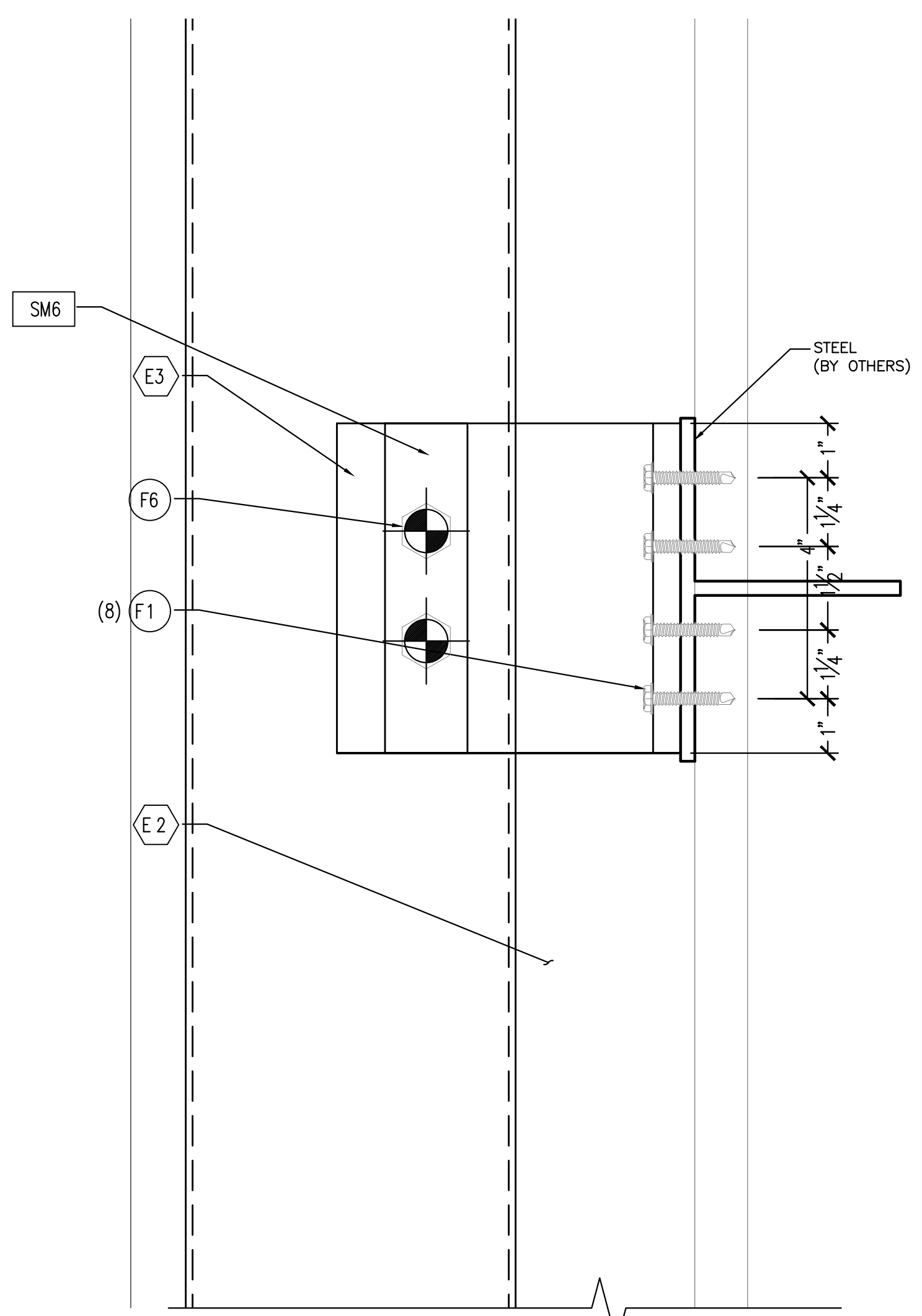
PROJECT:
 SF HEADWORKS
 SAN FRANCISCO, CA

TITLE:
 IMAGEWALL DETAILS

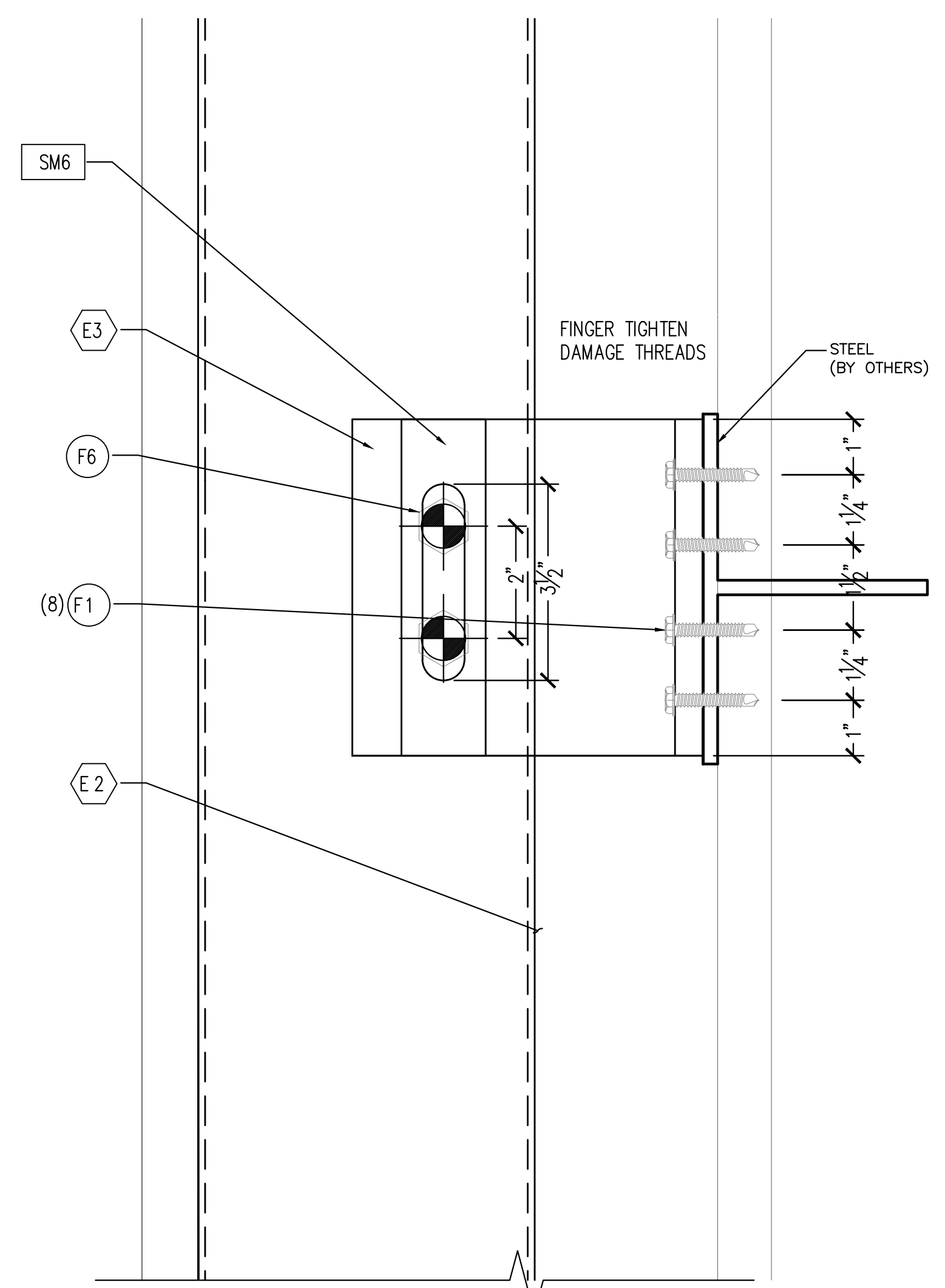
SUBMITTAL-04

PROJECT NUMBER: 190121 SUBMITTAL:
 DRAWING NO: Z50.2 04

C:\Box\Active Projects\190151_SF_Headworks_PH_3_Headworks_PH_3_Engineering\DRW\Submittals\170129_01_SUBMITTAL_05.dwg



2 DEADLOAD DETAIL @ CONSUMABLE PANEL
SCALE: 6"=1'-0" ZAHNER REF: Z40.2
ARCH REF: XX



3 WINDLOAD DETAIL @ CONSUMABLE PANEL
SCALE: 6"=1'-0" ZAHNER REF: Z40.2
ARCH REF: XX

- PRELIMINARY
 - DBT Review -
 - Request for Information -
 - Engineering Analysis/Design -
- DESIGN DEVELOPMENT
 - Submittal for Approval - XX.XX.XX
 - Issued for Pricing -
 - Submitted for Permit -
 - Resubmittal for Approval -
- FOR CONSTRUCTION
 - For Construction/Fabrication -
 - Engineer of Record -
 - For Construction Revisions -
 - As-built Record Set -

NO	DATE	DR. BY:	CK. BY:	DESCRIPTION
1	11.9.18	LH	PM	FOR APPROVAL
2	04.02.19	LH	PM	FOR APPROVAL
3	06.05.19	LH	PM	FOR APPROVAL
4	07.22.20	AM	DM	FOR CONSTRUCTION
5	11.04.20	AM	DM	FOR CONSTRUCTION

PROPRIETARY NOTICE
This drawing sheet and contents herein are the property of A.Zahner Company. Use of this drawing, contents or design for purposes other than estimating, drawing preparation and/or manufacturing for A.Zahner Company shall be cause for legal recourse by A.Zahner Company.

ARCHITECT:
MWA ARCHITECTS
SAN FRANCISCO, CA

ARCHITECT:
NAME
LOCATION

CONTRACTOR:
NAME
LOCATION

ORIGINATOR:



ARCHITECTURAL METAL
1400 EAST NINTH STREET TEL: (816) 474-8882
KANSAS CITY, MO. 64106 FAX: (816) 474-7994
WWW.AZAHNER.COM

PROJECT:
SF HEADWORKS
SAN FRANCISCO, CA

TITLE:
IMAGEWALL DETAILS

SUBMITTAL-04

PROJECT NUMBER: 190121 SUBMITTAL:
DRAWING NO: 04

Z50.2



① **CONSUMABLE PANEL DETAIL PLAN**
 SCALE: 6"=1'-0" ZAHNER REF: Z40.2
 ARCH REF: XX

- PRELIMINARY
 - DBT Review -
 - Request for Information -
 - Engineering Analysis/Design -
- DESIGN DEVELOPMENT
 - Submittal for Approval - XX.XX.XX
 - Issued for Pricing -
 - Submitted for Permit -
 - Resubmittal for Approval -
- FOR CONSTRUCTION
 - For Construction/Fabrication -
 - Engineer of Record -
 - For Construction Revisions -
 - As-built Record Set -

NO	DATE	DR. BY:	CK. BY:	DESCRIPTION
1	11.9.18	LH	PM	FOR APPROVAL
2	04.02.19	LH	PM	FOR APPROVAL
3	06.05.19	LH	PM	FOR APPROVAL
4	07.22.20	AM	DM	FOR CONSTRUCTION
5	11.04.20	AM	DM	FOR CONSTRUCTION

PROPRIETARY NOTICE
 This drawing sheet and contents herein are the property of A.Zahner Company. Use of this drawing, contents or design for purposes other than estimating, drawing preparation and/or manufacturing for A.Zahner Company shall be cause for legal recourse by A.Zahner Company.

ARCHITECT:
 MWA ARCHITECTS
 SAN FRANCISCO, CA

ARCHITECT:
 NAME
 LOCATION

CONTRACTOR:
 NAME
 LOCATION

ORIGINATOR:



ARCHITECTURAL METAL
 1400 EAST NINTH STREET TEL: (816) 474-8882
 KANSAS CITY, MO. 64106 FAX: (816) 474-7994
 WWW.AZAHNER.COM

PROJECT:
 SF HEADWORKS
 SAN FRANCISCO, CA

TITLE:
 IMAGEWALL DETAILS

SUBMITTAL-04

PROJECT NUMBER: 190121 SUBMITTAL:
 DRAWING NO: 04
 Z50.2