

Bayview Gateway Project

San Francisco Arts Commission – Civic Design Review – November 16, 2020



Project Information

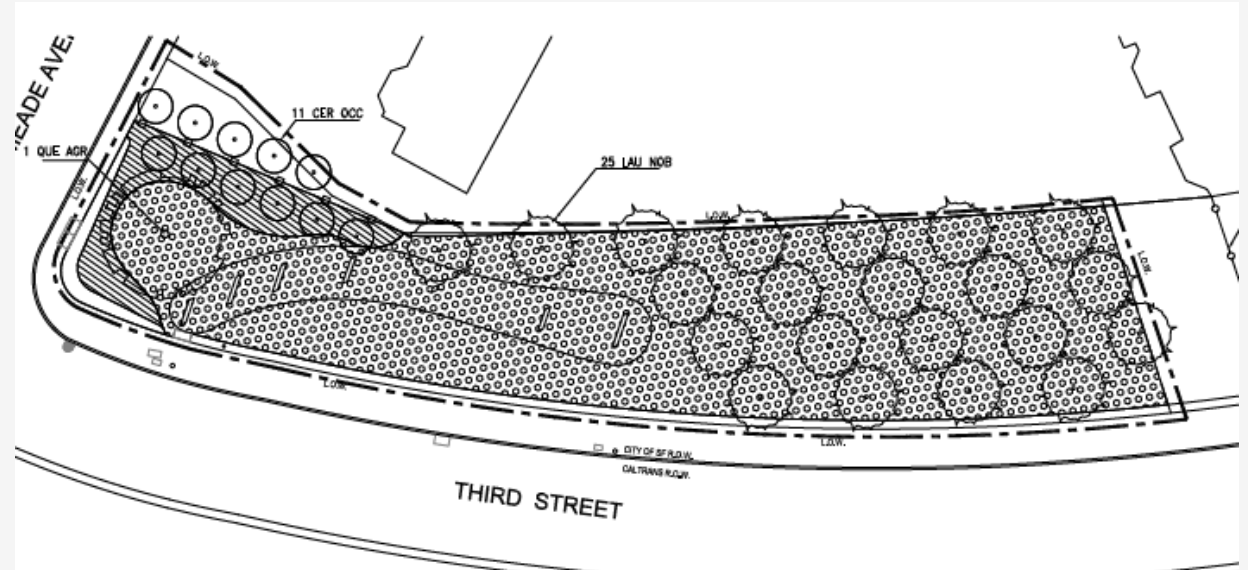
- **Location:** 3rd Street & Meade Ave (southeast entrance to the City)
- **Scope:** Installation of 8ft tall concrete letters that spell out BAYVIEW. The front/back façade of the letters will be decorated with a tile mosaic. General landscaping work for lot area.
- **Parties Involved:** Bayview Hill Neighborhood Association, San Francisco Public Works and HOK.
- **Background:** Initial community meeting started as early as 2016. This pilot location is one of six locations identified by the community for potential improvements.
- **Funding:** Community Challenge Grant (Bayview Hill Neighborhood Association) and Addback Funding (Public Works)



Landscape Scope



(Existing)



(Proposed)

- Removal of 13 trees deemed to be in poor condition by BUF.
- Project will plant 1 Oak Tree, 21 Bay trees as well 11 redbuds

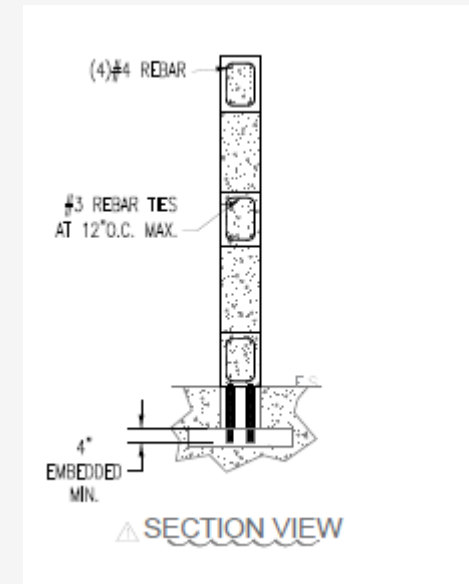
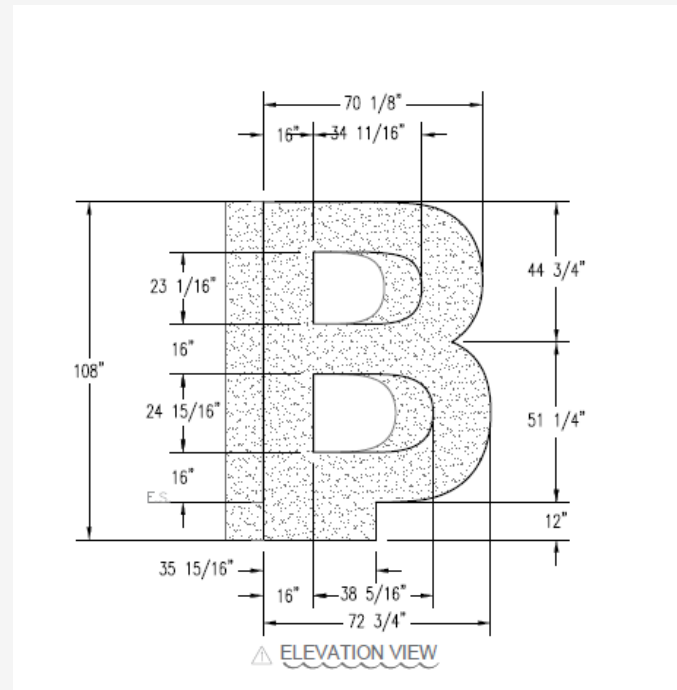
Signage Scope

Material:

The BAYVIEW letters will be fabricated out of concrete; natural color, exposed concrete finished surface. The mosaic tile will be donated by the community and may be a collection of various household dishes, vases, pottery, and/or any glassware.

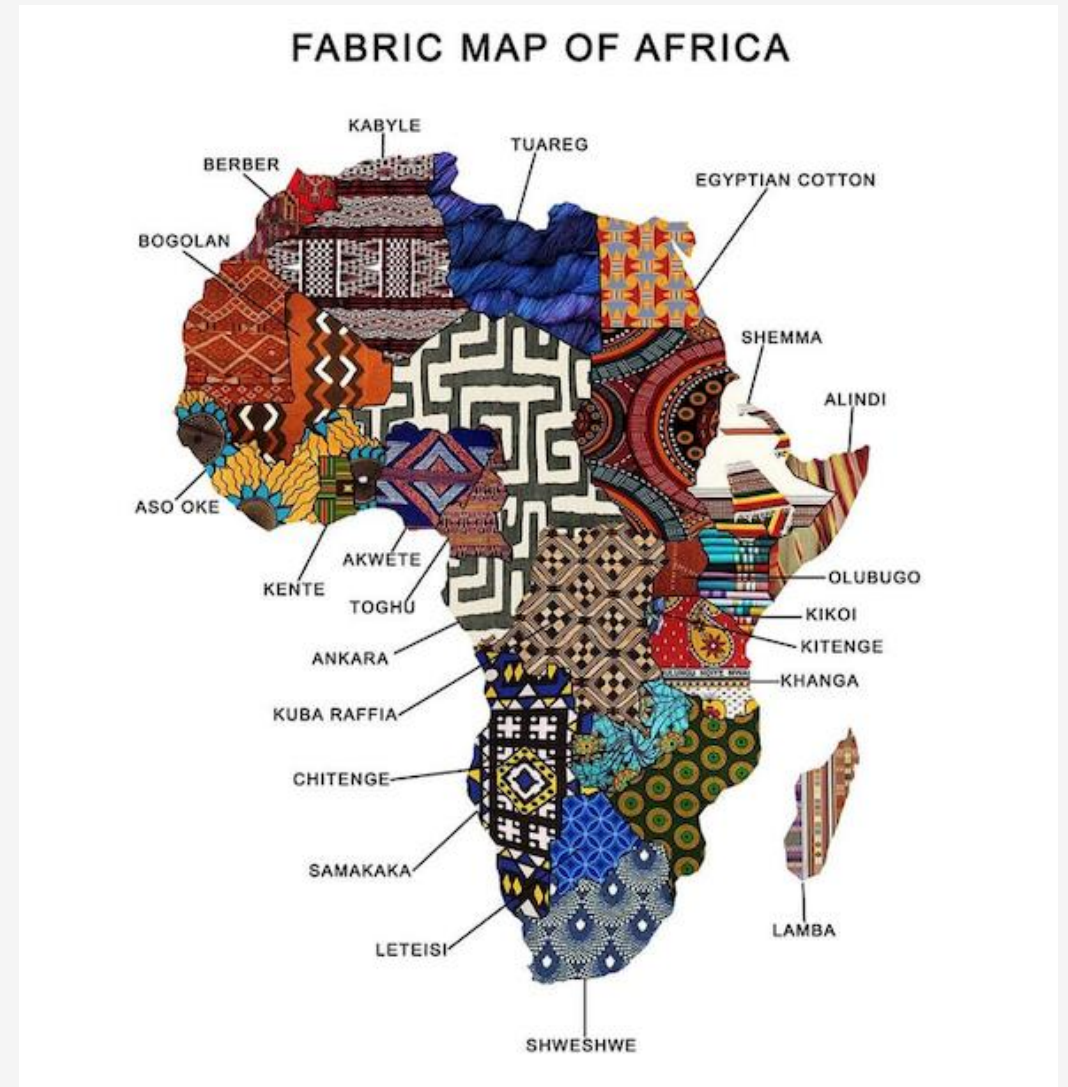
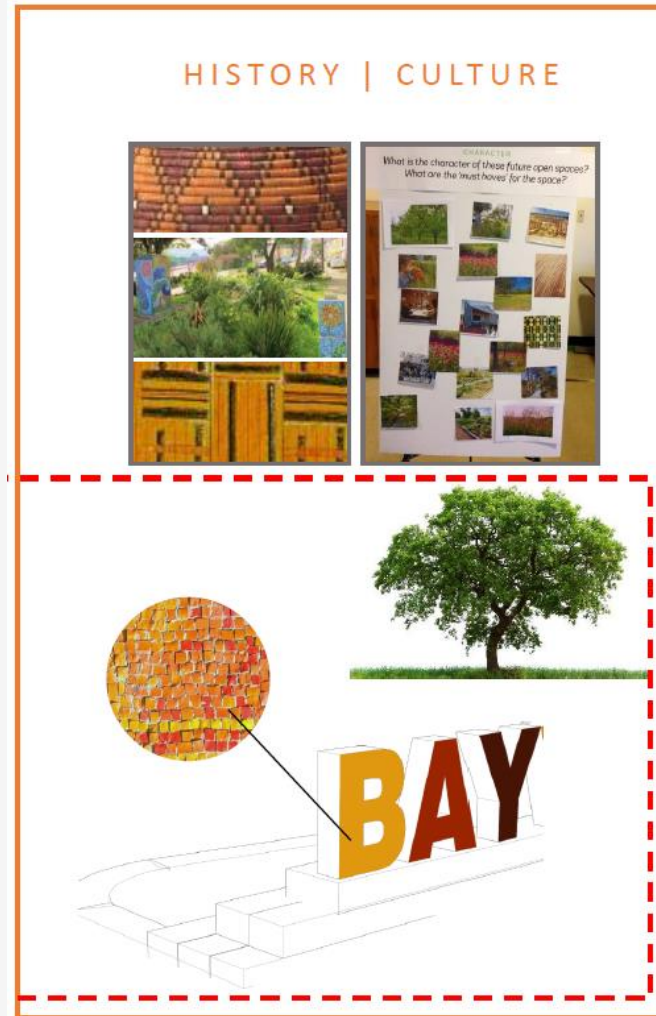
- Footing foundation for each individual letters – HOK
- Concrete Letters – QCP Shop Drawing

Actual color pallet of mosaic tile will depend on the community donations. Please refer to Inspiration & Development slide to see the anticipated design goal.



Inspiration & Development

- The community wanted a wayfinding signage that would represent their cultural identity and be a symbol for the Bayview District.
- The design and color palette was inspired by African and Native American influence.



HELP CREATE THE BAYVIEW GATEWAY



All who come to learn and participate in the sample tiles are eligible to join the team of artists executing the actual Bayview Gateway Project on Third Street! For more info visit bayviewhillsf.org/bayviewgateway

DROP OFF YOUR CERAMICS + GLASS NOVEMBER 7TH-DECEMBER 5TH

- Bayview Opera House @ 4705 Third St.
- Cafe Envy @ 1701 Yosemite
- Public Glass @ 1750 Armstrong
- St. Paul of the Shipwreck
@ 1122 Jamestown
- Sportsman Barber Shop @ 6404 Third St.

MOSAIC WORKSHOPS - AT PUBLIC GLASS DECEMBER 12TH & 13TH, 10 a.m - 2p.m.

Join the Public Glass team to learn how to make glass/ceramic mosaics and help create samples for the final project design.
All ages welcome!

Anticipated Project Milestones:

- November 2020 – Clearing/grubbing + landscaping work
- January 2021 – Begin setting BAYVIEW letters
- April 2021 – Substantial Completion

Thank You!

