

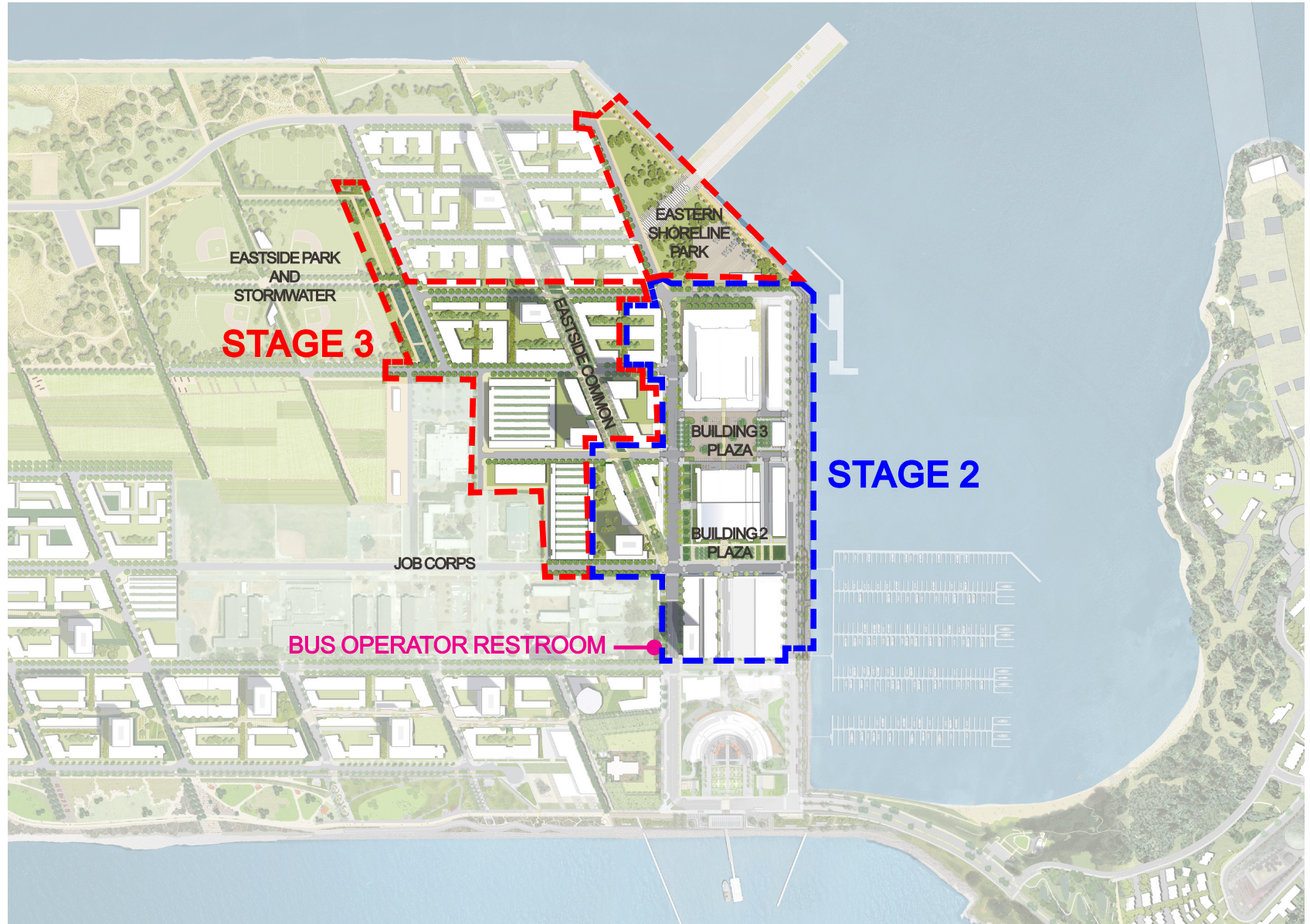
An aerial photograph of Treasure Island, California, showing a grid of streets and buildings. A red pin is placed on the map to indicate the location of the bus operator restroom. The island is surrounded by water, and a bridge is visible on the right side. The text "BUS OPERATOR RESTROOM" is overlaid in large, bold, black letters across the center of the map.

BUS OPERATOR RESTROOM

TREASURE ISLAND

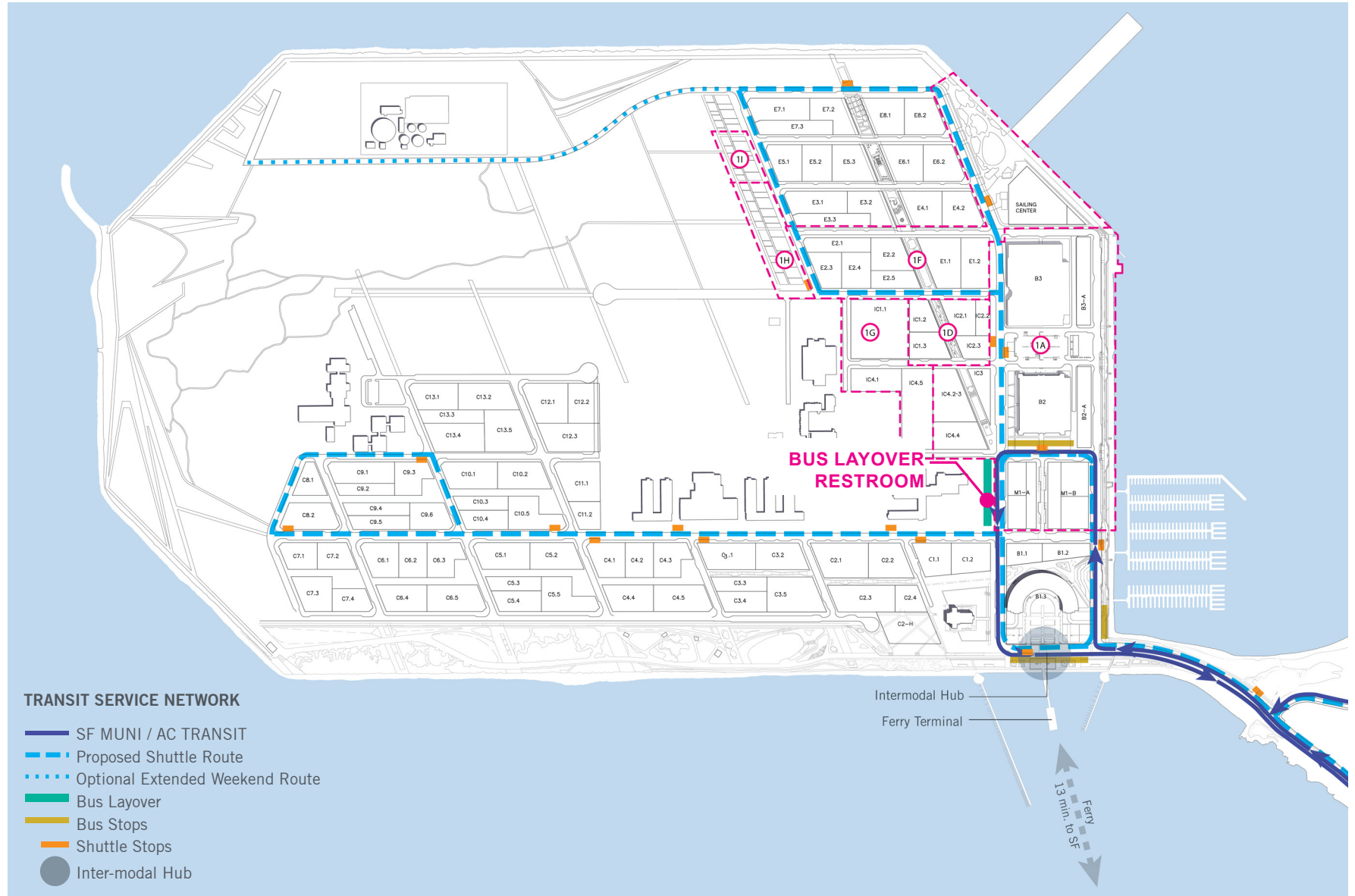
TREASURE ISLAND STAGE 2 & 3

TREASURE ISLAND BUS OPERATOR RESTROOM



PUBLIC TRANSIT NETWORK

TREASURE ISLAND BUS OPERATOR RESTROOM



TRANSIT SERVICE NETWORK

- SF MUNI / AC TRANSIT
- - - Proposed Shuttle Route
- · · Optional Extended Weekend Route
- Bus Layover
- Bus Stops
- Shuttle Stops
- Inter-modal Hub

Intermodal Hub
Ferry Terminal

Ferry
13 min. to SF

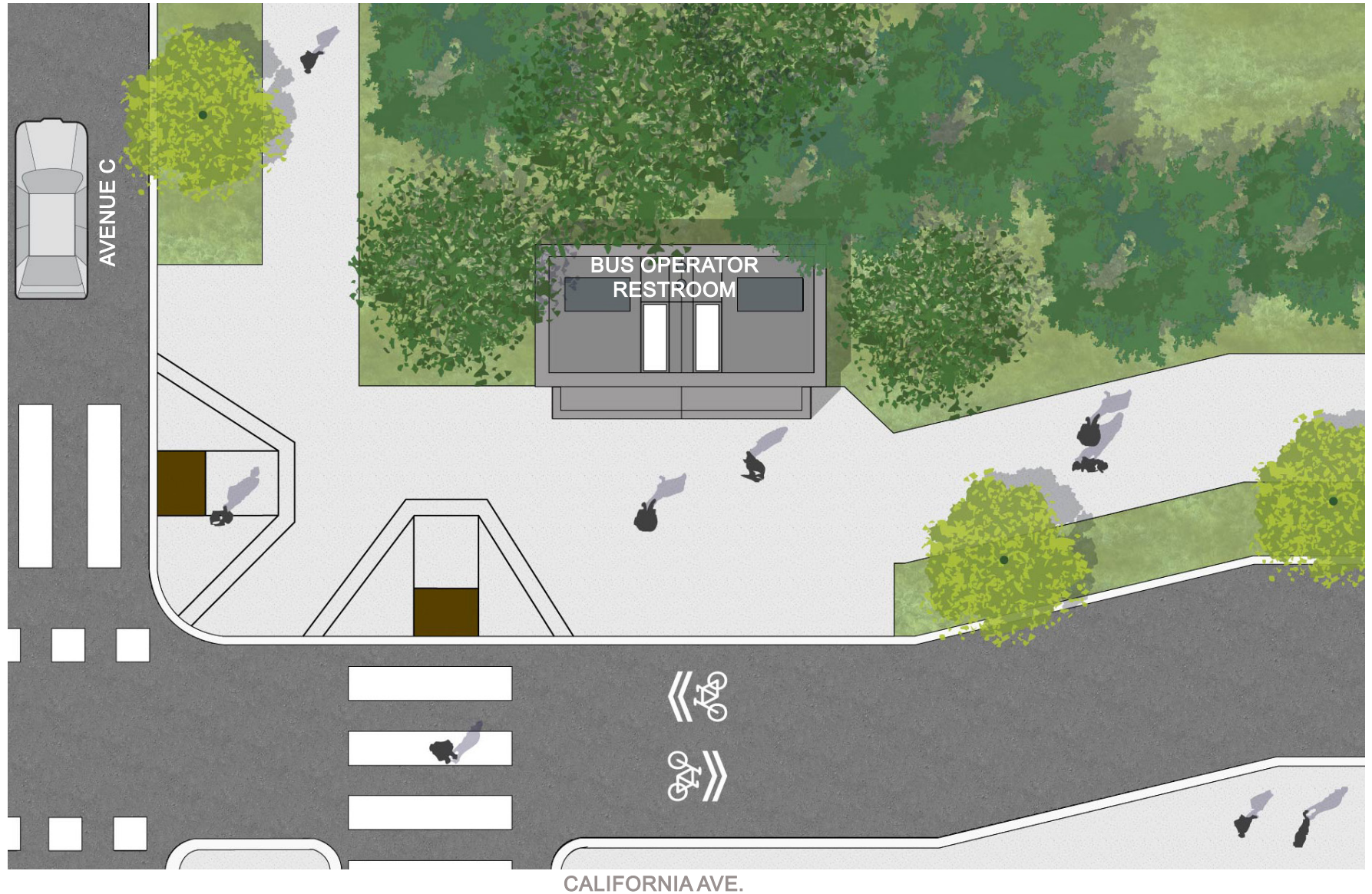
EXISTING LOCATION

TREASURE ISLAND BUS OPERATOR RESTROOM



SITE PLAN

TREASURE ISLAND BUS OPERATOR RESTROOM



SITING CONTEXT

TREASURE ISLAND BUS OPERATOR RESTROOM



VIEW NORTHEAST

TREASURE ISLAND BUS OPERATOR RESTROOM



VIEW EAST

TREASURE ISLAND BUS OPERATOR RESTROOM



BUS OPERATOR RESTROOM

TREASURE ISLAND BUS OPERATOR RESTROOM

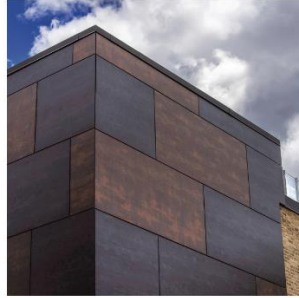


MATERIAL PRECEDENTS

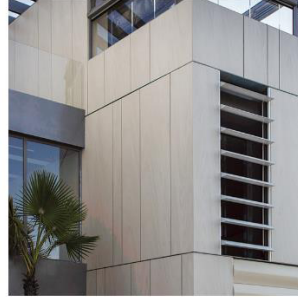
TREASURE ISLAND BUS OPERATOR RESTROOM



Metal Louvers



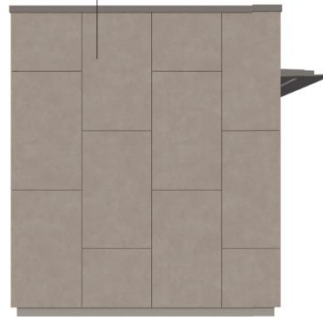
Fiber Cement Panel



Ceramic Steel Panel



Bus Operator Restroom
Rear facade



Bus Operator Restroom
Side facade



Bus Operator Restroom
Front facade

MATERIAL COLOR AND FINISH

TREASURE ISLAND BUS OPERATOR RESTROOM



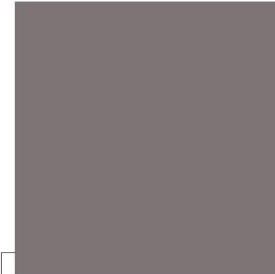
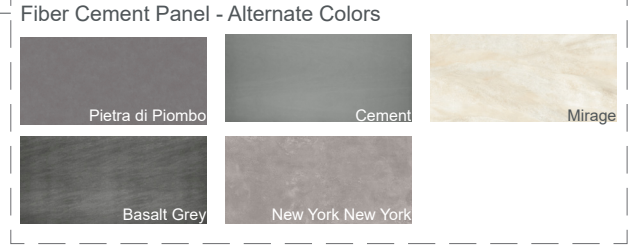
Concrete Curb
2 lbs/CY Lamp Black Added



Metal Louvers & Parapet Cap
Pearl Light Grey - RAL 9022



Fiber Cement Panel
Neolith - Pietra di Luna (hidden fasteners)



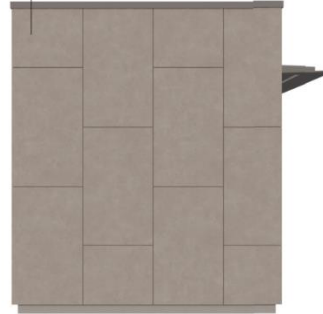
Painted Metal Door
Pearl Light Grey - RAL 9022



Ceramic Steel Panel
Pearl Light Grey - RAL 9022



Bus Operator Restroom
Rear facade



Bus Operator Restroom
Side facade



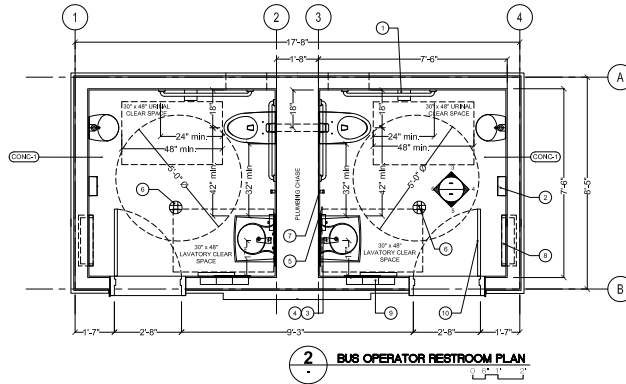
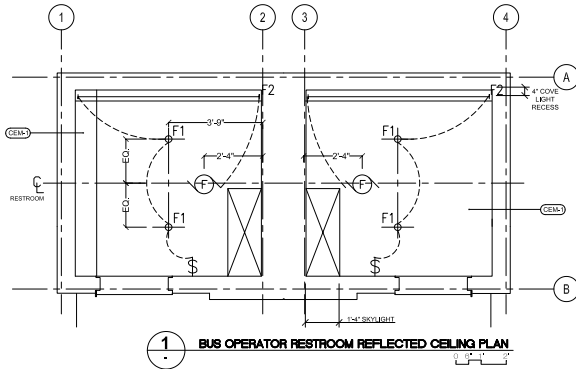
Bus Operator Restroom
Front facade



THANK YOU!

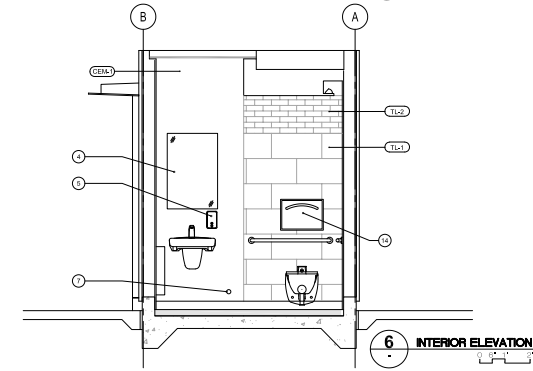
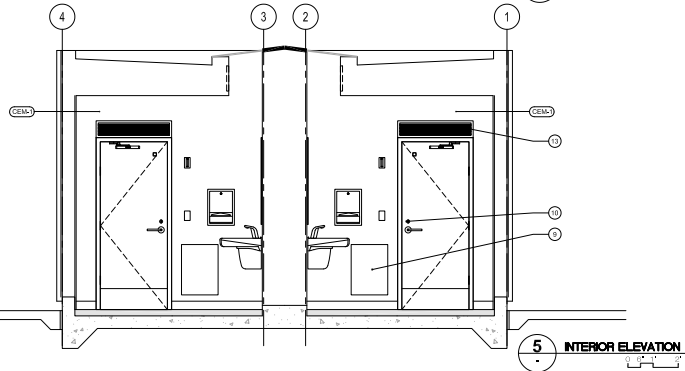
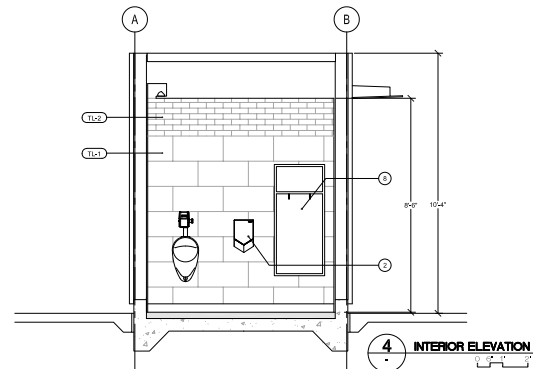
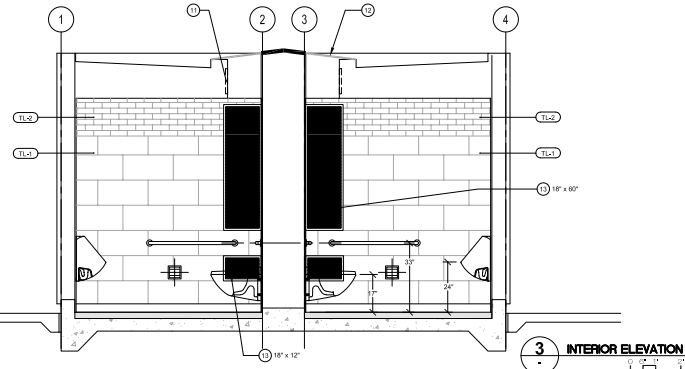


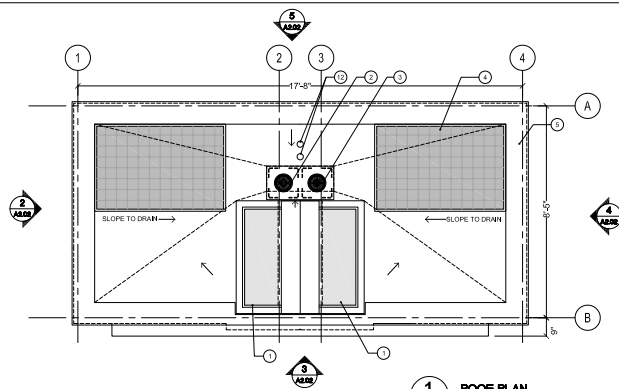
APPENDIX



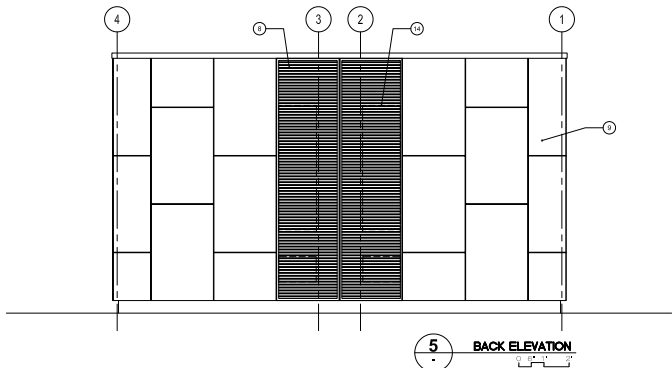
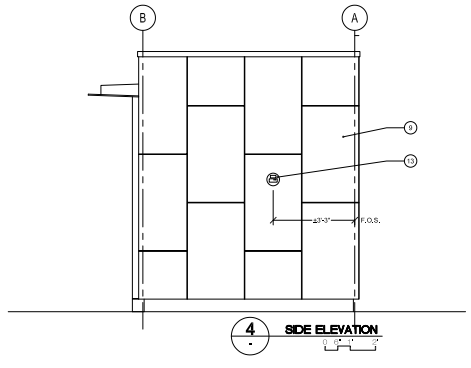
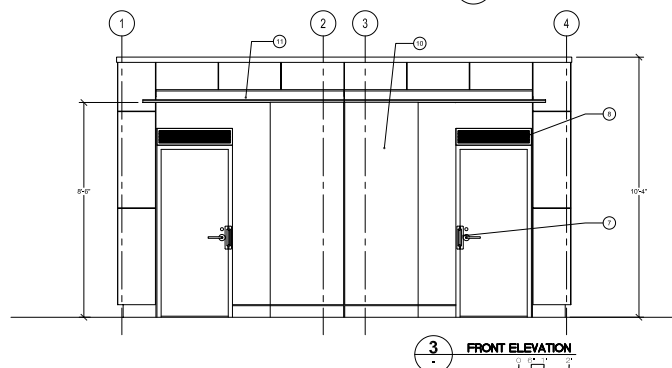
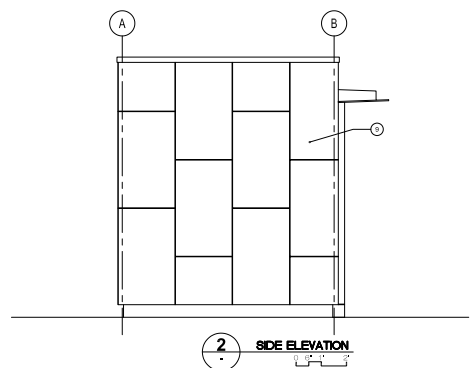
- LEGEND**
- 1 Jumbo size single-roll toilet tissue dispenser.
 - 2 Electric hand dryer.
 - 3 Wash sink w/ temperature meter faucet.
 - 4 Wall mirror.
 - 5 Hand soap dispenser.
 - 6 Floor drain.
 - 7 Water hose bib.
 - 8 Recessed shelf & coat hanger.
 - 9 804H garbage bin.
 - 10 Key entry or electronic card reader entry.
 - 11 Walk-mounted exhaust fan (75 cfm).
 - 12 Flood skylight (frosted).
 - 13 Stainless Steel ventilation grille.
 - 14 Surface-mounted seat cover dispenser.

- INTERIOR FINISHES LEGEND:**
- Division 09 - Finishes
- TL12 Porcelain Wall Tile (12"x24")
 - TL13 Porcelain Accent Tile
 - TL22 Porcelain Floor Tile (12"x24")
 - CEM1 Hardwood Plywood Cement Board, Water Durable
 - CONC2 Sealed Concrete Floor





- LEGEND**
- 1 Fiberglass (frsted)
 - 2 Roof drain
 - 3 Over-flow drain
 - 4 Photovoltaic panel
 - 5 Galk, Metal parapet cap
 - 6 Not Used
 - 7 Stainless Steel Door handle w/ Latch Guard
 - 8 Polished Steel Ventilation covers
 - 9 Fiber Cement panel (height or equal) rainscreen cladding
 - 10 Ceramic: steel panel
 - 11 Ceramic: steel panel short protection angle/cap
 - 12 Flanking vents
 - 13 Smart Electrical meter set flush w/ panel face
 - 14 Ventilation opening behind top







6741 GEARY BLVD.



3RD & HUDSON



48TH & ORTEGA



Google